

Service Manual

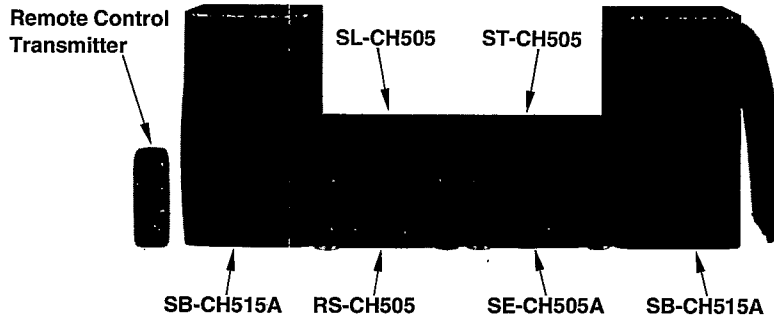
Amplifier

Amplifier

SE-CH505A

Colour

(K) Black Type



Because of unique interconnecting cables, when a component requires service, send or bring in the entire system.

Areas

Suffix for Model No.	Area	Colour
(E)	Europe	(K)
(EB)	Great Britain	
(EG)	Germany and Italy	

System: **SC-CH505**

Specifications

Power output

DIN 1 kHz, THD 1%, both channel driven
2×50 W (6Ω)

Total harmonic distortion

Rated power at 1 kHz 1% (6Ω)
Half power at 1 kHz 0.09% (6Ω)

Load impedance

MAIN 6~8Ω
SURROUND 8Ω

S/N (rated power) 84 dB

Frequency response 40 Hz~30 kHz (-3 dB)

Input MIC; 600Ω, Ø6.2

Output HEADPHONE; 32Ω, Ø3.5

■ General

Power consumption 170 W

Power supply

For (E) (EG) areas 230 V, AC 50/60 Hz

For (EB) area 230 V~240 V, AC 50/60 Hz

Dimensions (W×H×D) 270×118.5×336 mm

Weight 4.4 kg

Notes:

1. Weights and dimensions shown are approximate.
2. Design and specifications are subject to change without notice.
3. Total harmonic distortion is measured by the digital spectrum analyzer.

System	Tuner	Compact disc player	Amplifier	Cassette deck	Speakers
SC-CH505	ST-CH505	SL-CH505	SE-CH505A	RS-CH505	*SB-CH515A

*Made in PAES

Technics

■ Contents

	Page		Page
●BEFORE REPAIR	2	●SCHEMATIC DIAGRAM	13~17
●PROTECTION CIRCUITRY	2	●PRINTED CIRCUIT BOARD DIAGRAM	18~20
●ACCESSORIES	2	●WIRING CONNECTION DIAGRAM	20
●CAUTION FOR AC MAINS LEAD	3	●BLOCK DIAGRAM	21
●STACKING THE COMPONENTS	4	●FUNCTION OF IC TERMINALS	22
●CONNECTIONS	5~8	●REPLACEMENT PARTS LIST	23~26
●LOCATION OF CONTROLS	8	●CABINET PARTS LOCATION	27
●DISASSEMBLY INSTRUCTIONS	9~12	●PACKAGING	28, 29

■ Before Repair

- (1) Turn off the power supply. Using a 10Ω, 10 W resistor, connect both ends of power supply capacitors (C701, C702) in order to discharge the voltage.
- (2) Before turning the power supply on, after completion of repair, slowly apply the primary voltage by using a power supply voltage controller to make sure that the consumed current at 50/60 Hz in NO SIGNAL mode should be shown below with respect to supply voltage 230 V~240 V.

Power supply voltage	AC 230 V	AC 240 V
Consumed current 50 Hz	80~180 mA	80~180 mA

■ Protection Circuitry

The protection circuitry may have operated if either of the following conditions is noticed:

*No sound is heard when the power is switched ON.

*Sound stops during a performance.

The functions of this circuitry is to prevent circuitry damage if, for example, the positive and negative speaker connection wires are "shorted", or if speaker systems with an impedance less than the indicated rated impedance of this unit are used.

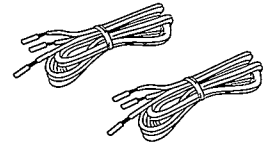
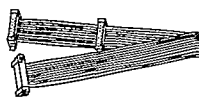
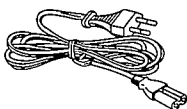
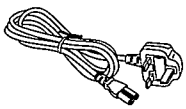
If this occurs, follow the procedure outlined below:

1. Switch OFF the power.
2. Determine the cause of the problem and correct it.
3. Switch ON the power once again.

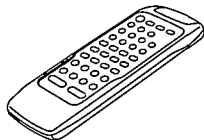
Note:
When the protection circuitry functions, the unit will not operate unless the power is first switched OFF and then ON again.

■ Accessories

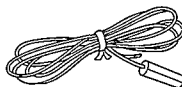
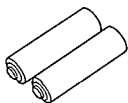
- | | | |
|---|---|--|
| AC power supply cord1 pc.
(VJA0733) (RJA0019-2K)
...for (EB) area ...for (E) (EG) areas | Flat cable (Long)1 pc.
(REX0511) | Speaker cords2 pcs.
(REE0393) |
|---|---|--|



- | | | |
|--|--|--|
| Remote control transmitter1 pc.
(RAK-CH101WH) | Flat cable (Short)1 pc.
(REX0512) | AM loop antenna (RSA0010)1 pc.
Antenna holder (RMN0244)1 pc.
Screw (XTN3+12AFZ)1 pc. |
|--|--|--|



- | | | |
|---|---|---|
| Remote control batteries2 pcs.
(UM-4, AAA, R03)
Note: These are available on sale route. | FM indoor antenna1 pc.
(RSA0007) | Attachment plug1 pc.
(SJP9009)...for (EB) area |
|---|---|---|



■ Caution for AC Mains Lead

("EB" area code model only)

For your safety, please read the following text carefully.

This appliance is supplied with a moulded three pin mains plug for your safety and convenience.

A 5-ampere fuse is fitted in this plug.

Should the fuse need to be replaced please ensure that the replacement fuse has a rating of 5-ampere and that it is approved by ASTA or BSI to BS1362.

Check for the ASTA mark  or the BSI mark  on the body of the fuse.

If the plug contains a removable fuse cover you must ensure that it is refitted when the fuse is replaced.

If you lose the fuse cover the plug must not be used until a replacement cover is obtained.

A replacement fuse cover can be purchased from your local dealer.

CAUTION!

IF THE FITTED MOULDED PLUG IS UNSUITABLE FOR THE SOCKET OUTLET IN YOUR HOME THEN THE FUSE SHOULD BE REMOVED AND THE PLUG CUT OFF AND DISPOSED OF SAFELY.

THERE IS A DANGER OF SEVERE ELECTRICAL SHOCK IF THE CUT OFF PLUG IS INSERTED INTO ANY 13-AMPERE SOCKET.

If a new plug is to be fitted please observe the wiring code as shown below.

If in any doubt please consult a qualified electrician.

IMPORTANT

The wires in this mains lead are coloured in accordance with the following code:

Blue: Neutral, Brown: Live.

As these colours may not correspond with the coloured markings identifying the terminals in your plug, proceed as follows:

The wire which is coloured Blue must be connected to the terminal which is marked with the letter N or coloured Black or Blue.

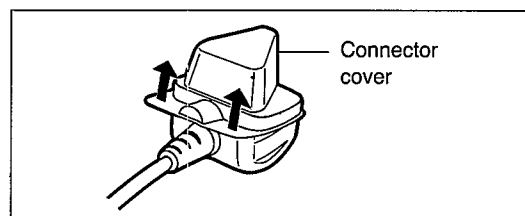
The wire which is coloured Brown must be connected to the terminal which is marked with the letter L or coloured Brown or Red.

WARNING: DO NOT CONNECT EITHER WIRE TO THE EARTH TERMINAL WHICH IS MARKED WITH THE LETTER E, BY THE EARTH SYMBOL \perp OR COLOURED GREEN OR GREEN/YELLOW.

THIS PLUG IS NOT WATERPROOF—KEEP DRY.

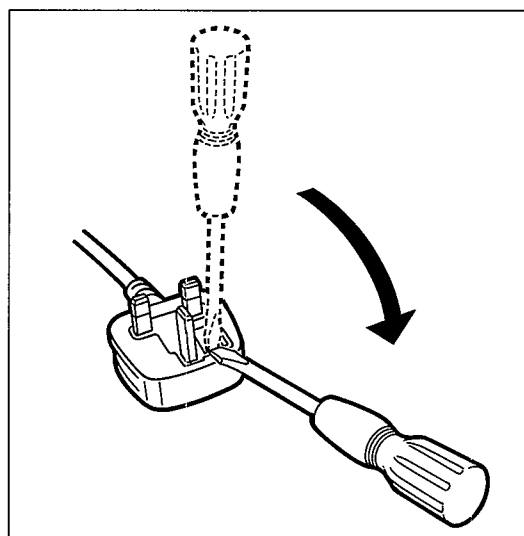
Before use

Remove the connector cover as follows.

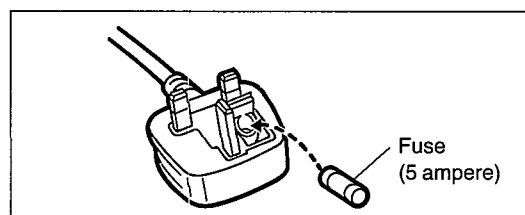


How to replace the fuse

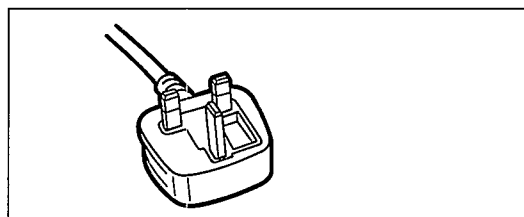
1. Open the fuse cover with a screwdriver.



2. Replace the fuse.



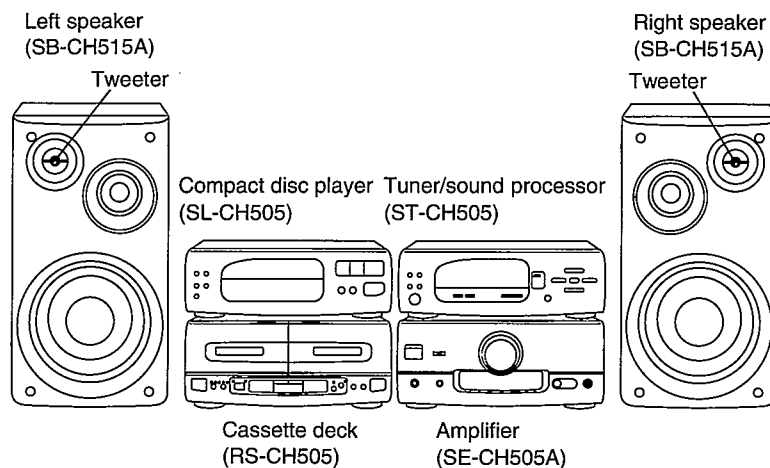
3. Close the fuse cover.



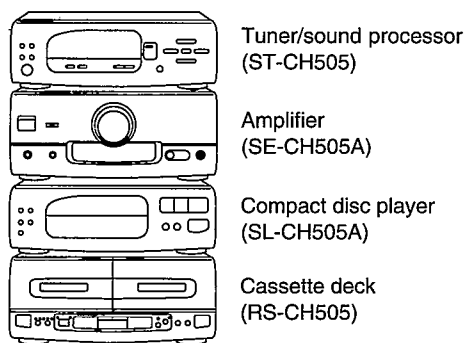
■ Stacking the Components

Install the various components as shown below.

Horizontal stacking

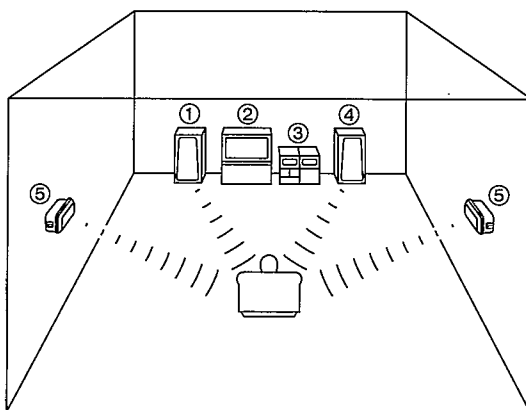


Vertical stacking



System layout example

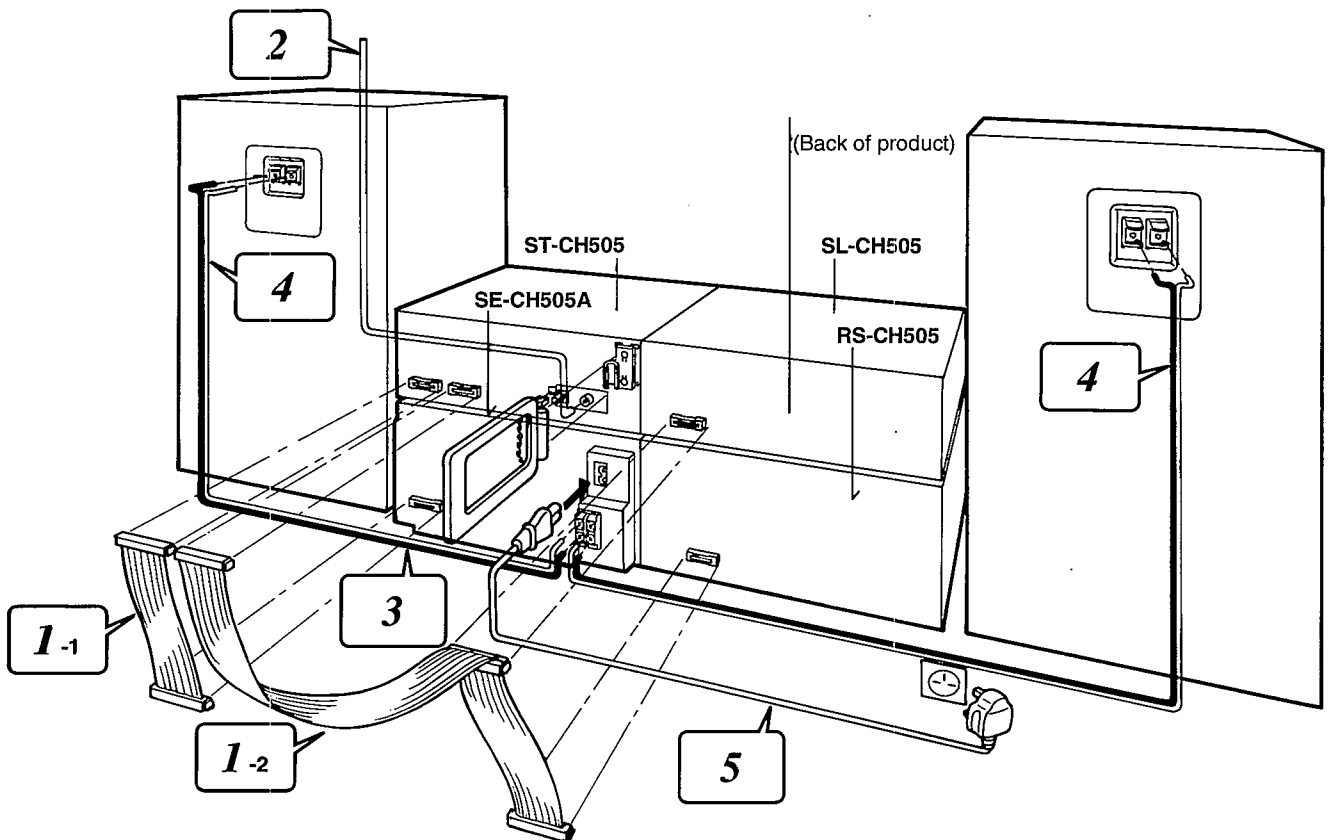
- ① Left speaker
- ② Television set (not included)
- ③ This system
- ④ Right speaker
- ⑤ Surround speakers



To produce a better stereo sound, install both speakers away from the system.

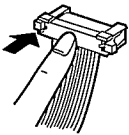
Surround sound effect differs according to where you install the surround speakers. Install them as you like.

■ Connections

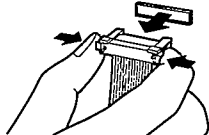


1 Connect the flat cable.

Connecting



Disconnecting

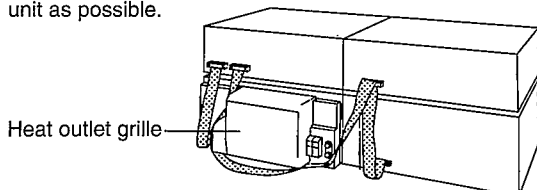


1. Connect the shorter flat cable to the terminal of the tuner/sound processor and amplifier.
2. Connect the longer flat cable to the terminal of the tuner/sound processor, compact disc player, and cassette deck.

Route the cable horizontally (underneath the heat outlet grille) so that the side with the white-coloured lead is positioned at the front.

Be sure to connect the blue-coloured connector to B1 (tuner/sound processor).

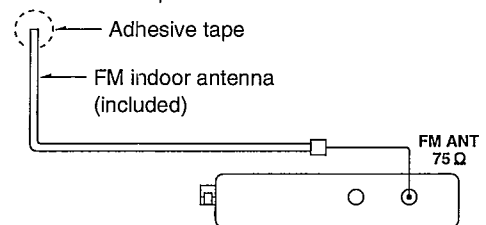
After connection, fold and press the cable as flat to the back of the unit as possible.



Do not try connecting or disconnecting the flat cable while the power is switched to ON.

2 Connect the FM indoor antenna.

Install the antenna on a wall at a height and in a direction which result in the best reception.

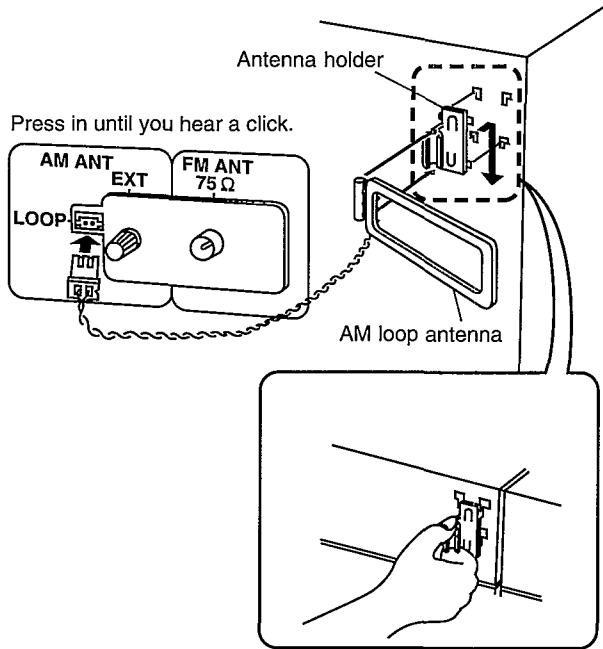


The tip of the internal antenna wire should not come into contact with any metal objects.

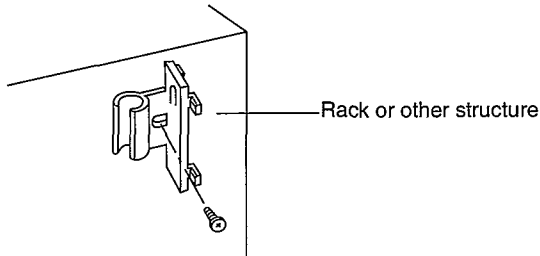
When you cannot get a good reception with this FM indoor antenna, we recommend you install an FM outdoor antenna. (Not included. See page 8.)

3 Connect the AM (MW/LW) loop antenna.

1. Attach the antenna holder to the rear panel of the tuner/sound processor.
2. Clamp the AM loop antenna antenna to the antenna holder and connect the antenna terminal to the rear panel of the tuner/sound processor.
3. Position the loop for the best reception.



You may attach the AM antenna holder with screw (included) to a rack or other structure. In this case, attach as showed in the figure below.



Note

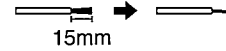
To minimize noise pickup, keep the AM loop antenna cord along the heat outlet grille, and away from the flat cables.

4 Connect the right (R) and left (L) speaker cables.

Notes

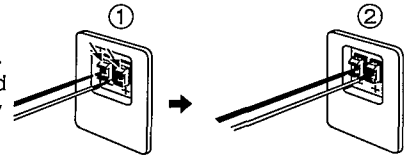
- Be sure to connect speaker cables before connecting the AC power supply cord.
- The load impedance of any speaker used with this unit must be 6–8Ω.
- Match the two wires from the left and right speaker cables with the same coloured levers of the speaker terminals, then insert the wires into the respective terminals.

1. Strip off the outer covering, and twist the center conductor.

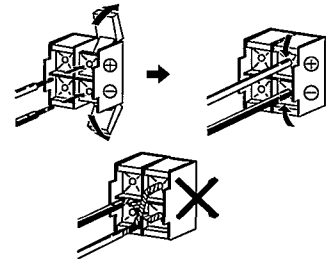


Make sure the bare ends of the wires are not unraveled. (If they are, twist them tight again.)

2. ① Tilt the lever back and insert the wire.
- ② Close the lever and pull the cord gently to be sure that it is secured.



3. Insert the wire to the rear panel of the amplifier, and close the lever.



Notes

- To prevent damage to circuitry, never short-circuit positive (+) and negative (–) speaker wires.
- Be sure to connect only positive (red) wires to positive (+) terminals and negative (black) wires to negative (–) terminals.

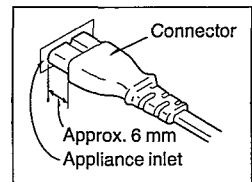
BE SURE TO READ THE CAUTION FOR AC MAINS LEAD ON PAGE 3 BEFORE PROCEEDING TO STEP 5.

5 Connect the AC power supply cord after you have connected all other cables.

Insertion of Connector

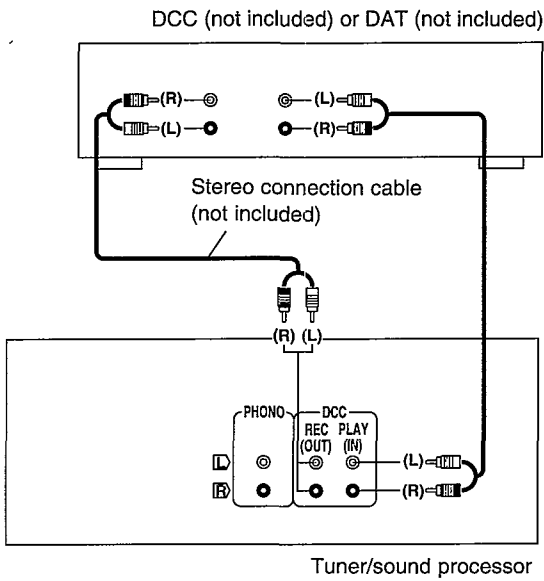
Even when the connector is perfectly inserted, depending on the type of inlet used, the front part of the connector may jut out as shown in the drawing.

However there is no problem using the unit.

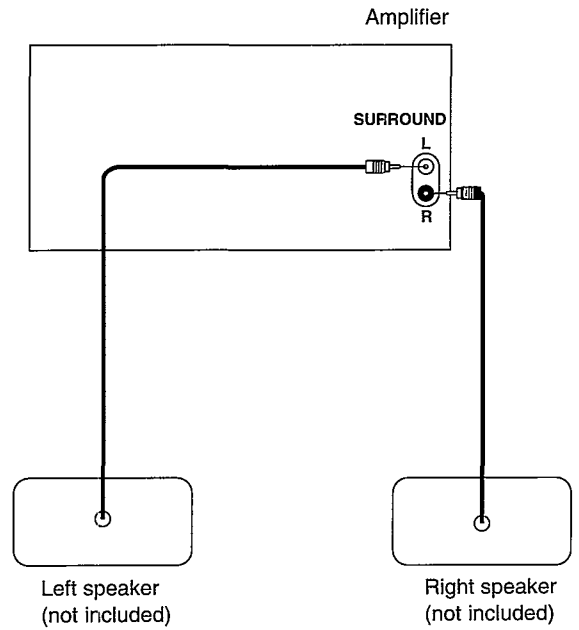


External unit connection

DCC (digital compact cassette deck) or DAT (digital audio tape deck)



Rear surround speakers

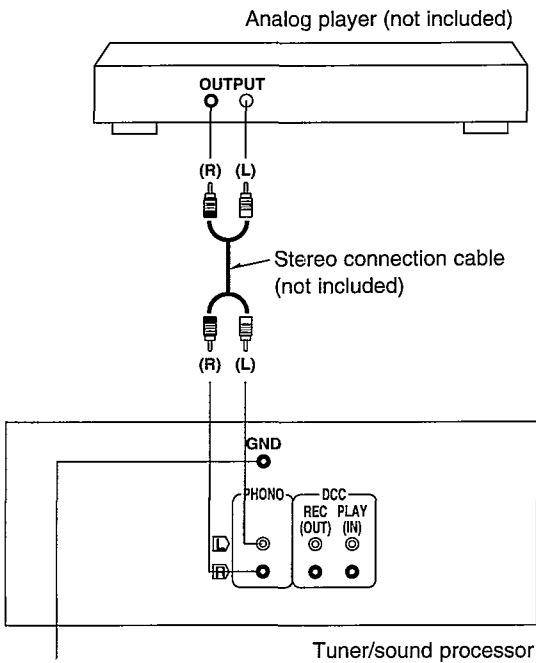


Note

Be sure to connect both speaker systems. If only one side is connected, no sound will be heard.

Install each speaker left and right at the back of the listening space.

Analog player



"GND" terminal

This terminal is for a ground wire use.

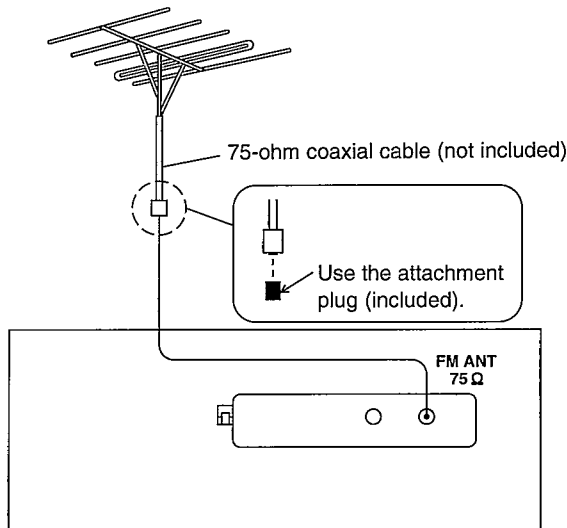
Optional antenna connections

FM outdoor antenna (not included)

If the FM indoor antenna does not provide satisfactory reception of FM broadcasts, use an outdoor antenna.

You may need an outdoor antenna if you use this system in a mountainous region or inside a reinforced-concrete building, etc. An outdoor antenna should be installed by a competent technician only.

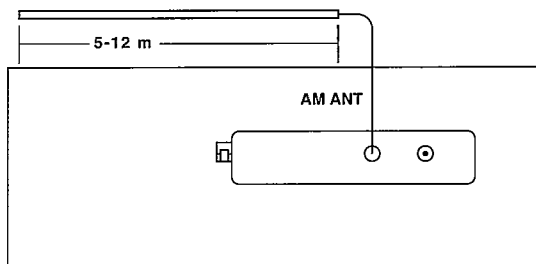
FM outdoor antenna



AM (MW/LW) outdoor antenna (not included)

An outdoor antenna may be required in a mountainous region, or if this system is located inside a reinforced-concrete building, etc.

Run 5 to 12 m of vinyl-covered wire horizontally along a window or other convenient location.

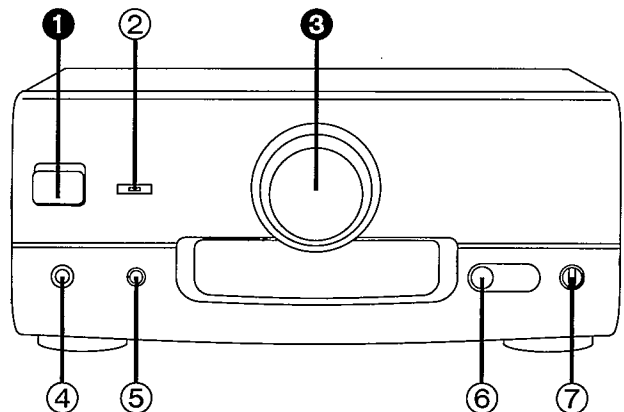
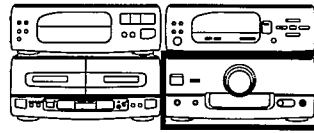


Note

Do not remove the AM loop antenna.

Location of Controls

The functions indicated by the numbers with black background (for example ❶) can also be activated from the remote control transmitter.



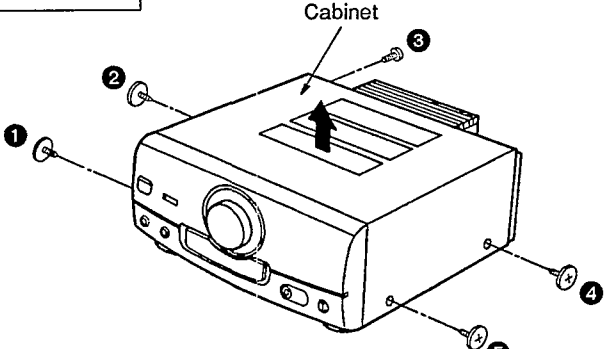
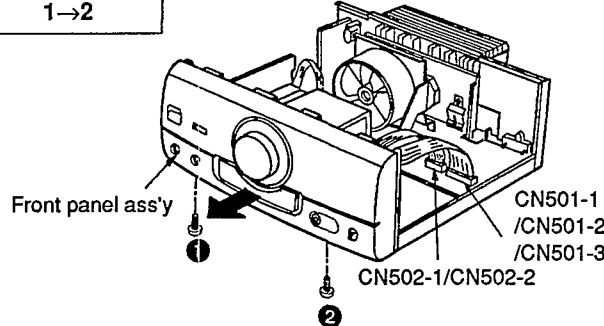
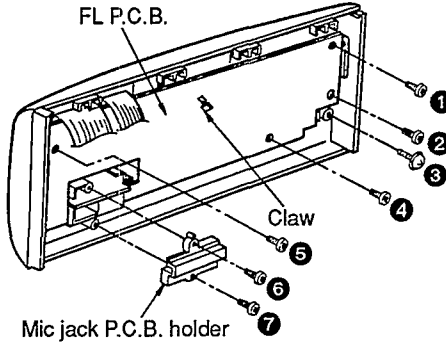
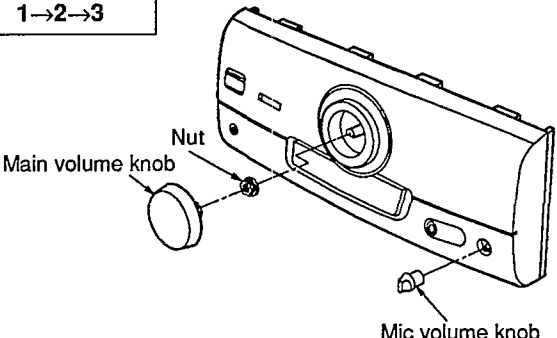
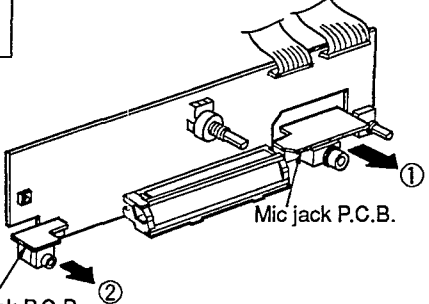
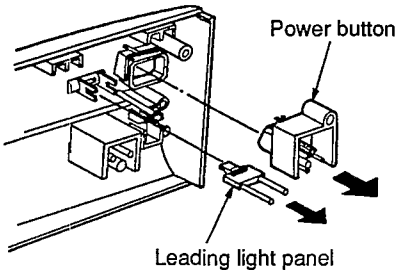
Amplifier section

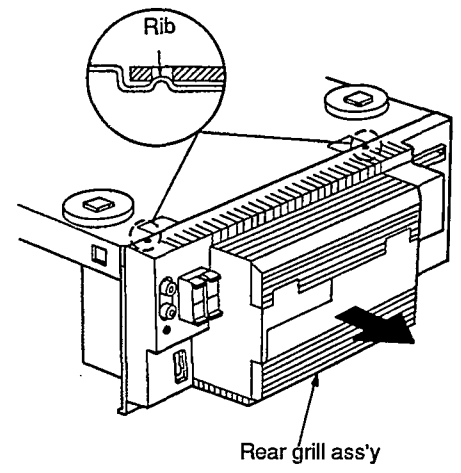
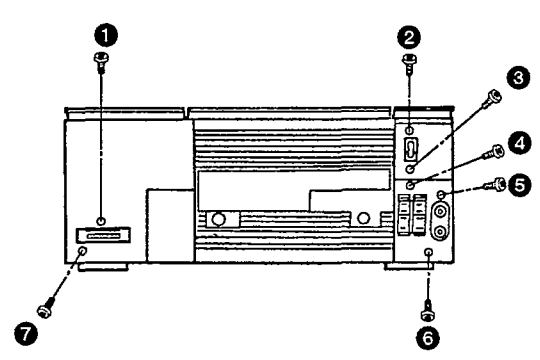
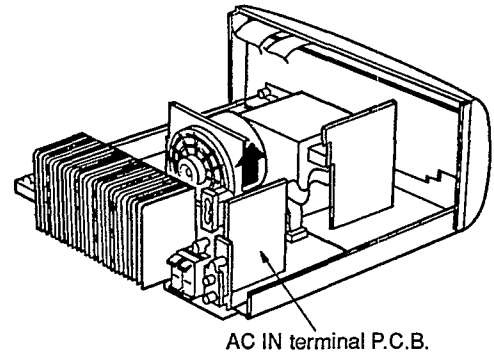
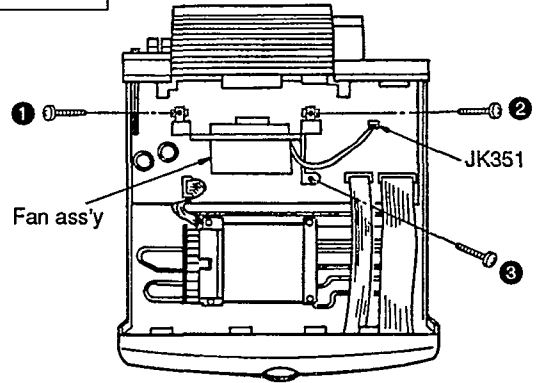
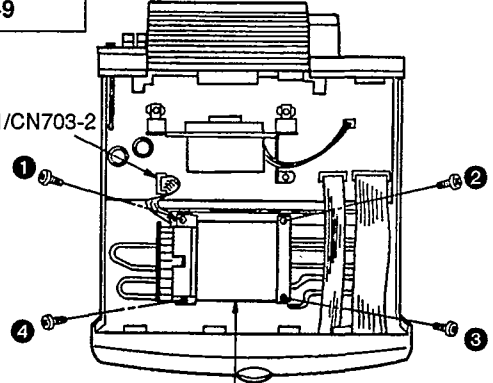
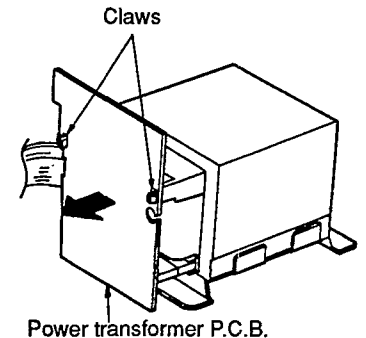
No.	Name
❶	Power "STANDBY" switch (POWER, STANDBY) Press to switch the unit from on to standby mode or vice versa. In standby mode, the unit is still consuming a small amount of power.
❷	Standby indicator (STANDBY) When the unit is connected to the AC mains supply, this indicator lights up in standby mode and goes out when the unit is turned on.
❸	Volume control (VOLUME)
❹	Headphones jack (PHONES) (∅3.5, 32Ω)
❺	Range select button (RANGE)
❻	Microphone jack (MIC) (∅6.2, 600Ω)
❼	Microphone volume control (MIC VOLUME)

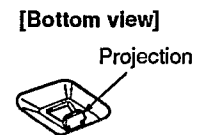
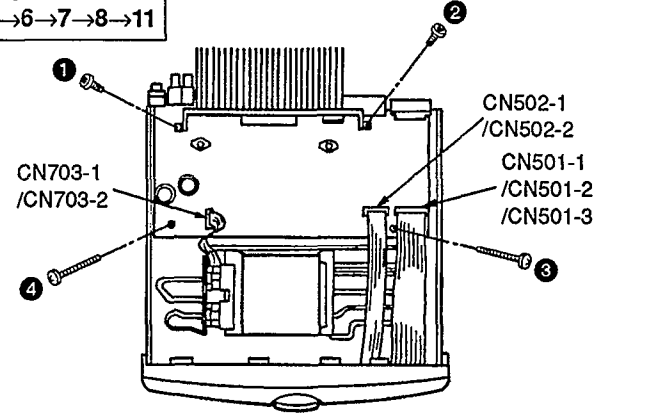
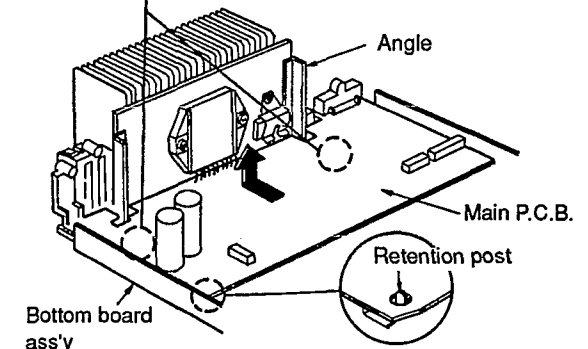
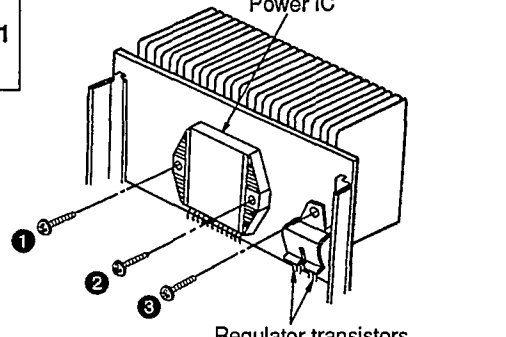
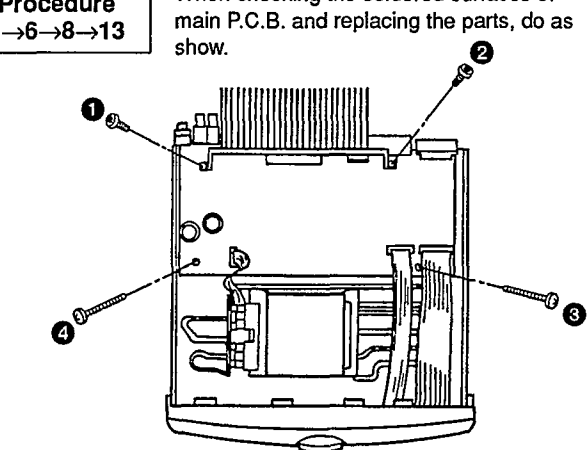
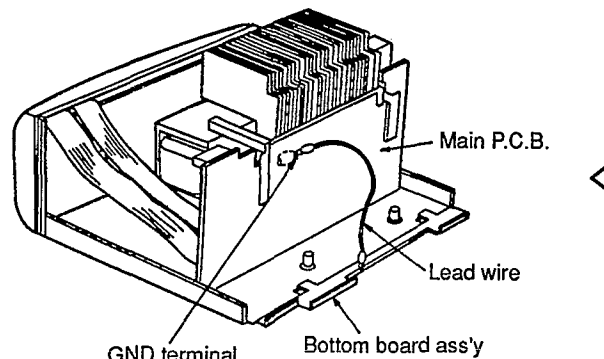
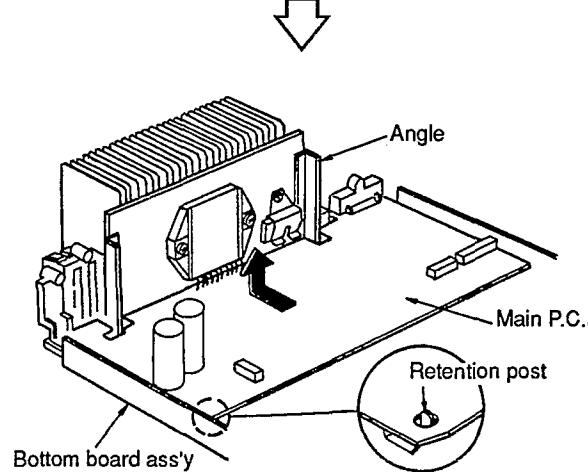
Disassembly Instructions

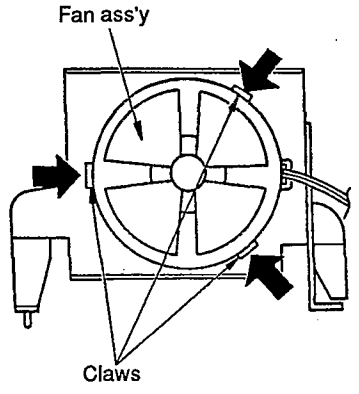
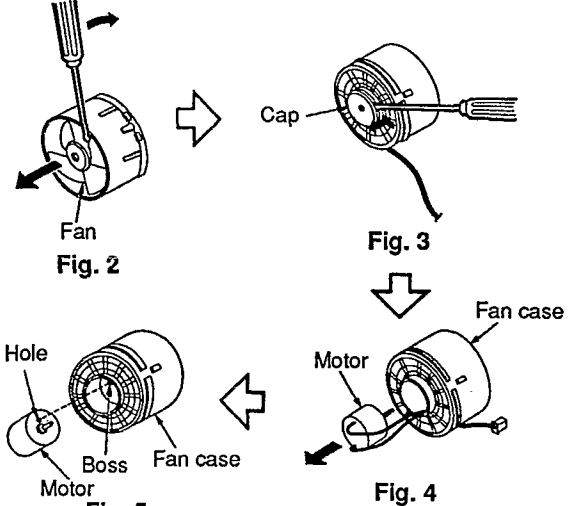
"ATTENTION SERVICER"

Some chassis components may have sharp edges. Be careful when disassembling and servicing.

Ref. No. 1	Removal of the Cabinet	Ref. No. 2	Removal of the Front Panel Ass'y
Procedure 1		Procedure 1→2	
 <p>1. Remove 5 screws (①~⑤).</p> <p>2. Remove the cabinet in the direction of the arrow.</p>		 <p>1. Remove 5 connectors (CN501-1, CN501-2, CN501-3, CN502-1, CN502-2).</p> <p>2. Remove 2 screws (①, ②).</p> <p>3. Remove the front panel ass'y in the direction of the arrow.</p>	
Ref. No. 3	Removal of the FL P.C.B.	 <p>4. Remove 7 screws (①~⑦).</p> <p>5. Remove the mic jack P.C.B. holder.</p> <p>6. Release the claw.</p>	
Procedure 1→2→3	 <p>1. Pull out the main volume knob.</p> <p>2. Pull out the mic volume knob.</p> <p>3. Remove the nut.</p>		
Ref. No. 4	Removal of the Mic Jack P.C.B. and Headphones Jack P.C.B.	Ref. No. 5	Removal of the Power Button and Leading Light Panel
Procedure 1→2→3→4		Procedure 1→2→3→5	
 <p>■ Removal of the MIC Jack P.C.B.</p> <ul style="list-style-type: none"> Remove the mic jack P.C.B. in the direction of arrow ①. <p>■ Removal of the Headphones Jack P.C.B.</p> <ul style="list-style-type: none"> Remove the headphones jack P.C.B. in the direction of arrow ②. 		 <ul style="list-style-type: none"> Remove the power button and leading light panel in the direction of the arrow. 	

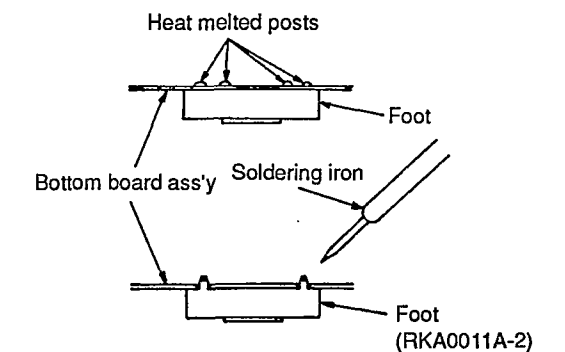
<p>Ref. No. 6</p>	<p>Removal of the Rear Grill Ass'y</p>	 <p>Rear grill ass'y</p>	
<p>Procedure 1→6</p>	 <p>1. Remove 7 screws (①~⑦).</p>	<p>2. Remove 2 ribs. 3. Remove the rear grill ass'y in the direction of the arrow.</p>	
<p>Ref. No. 7</p>	<p>Removal of the AC IN Terminal P.C.B.</p>	<p>Ref. No. 8</p>	<p>Removal of the Fan Ass'y</p>
<p>Procedure 1→6→7</p>	 <p>AC IN terminal P.C.B.</p> <p>• Remove the AC IN terminal P.C.B. in the direction of the arrow.</p>	<p>Procedure 1→8</p>	 <p>JK351</p> <p>Fan ass'y</p> <p>1. Remove the connector (JK351). 2. Remove 3 screws (①~③).</p>
<p>Ref. No. 9</p>	<p>Removal of the Power Transformer</p>	<p>Ref. No. 10</p>	<p>Removal of the Power Transformer P.C.B.</p>
<p>Procedure 1→9</p>	 <p>CN703-1/CN703-2</p> <p>Power transformer</p> <p>1. Remove 2 connectors (CN703-1, CN703-2). 2. Remove 4 screws (①~④).</p>	<p>Procedure 1→9→10</p>	 <p>Claws</p> <p>Power transformer P.C.B.</p> <p>• Release 2 claws and then remove the power transformer P.C.B. in the direction of the arrow.</p>

Ref. No. 11	Removal of the Main P.C.B.	<p>NOTE</p> <p>Insert the projection on the angle into the hole of the bottom board ass'y and then install the Main P.C.B.</p> <p>[Bottom view] Projection</p> 	
Procedure 1→6→7→8→11	 <p>1. Remove 4 screws (1~4).</p> <p>2. Remove 7 connectors (CN501-1, CN501-2, CN501-3, CN502-1, CN502-2, CN703-1, CN703-2).</p>	 <p>3. Lift the main P.C.B. off the retention post on the bottom board ass'y.</p> <p>4. Remove the main P.C.B. in the direction of the arrow.</p>	
Ref. No. 12	Removal of the Power IC and Regulator Transistor	Ref. No. 13	How to check the Main P.C.B.
Procedure 1→6→7→8→11 →12	 <p>1. Unsolder the power IC or regulator transistors.</p> <p>2. Remove 3 screws (1~3).</p> <p>When mounting the power IC or regulator transistor, apply silicone compound (RFKX0002) to the rear side of power IC or regulator transistors.</p>	 <p>1. Remove 4 screws (1~4).</p>	<p>When checking the soldered surfaces of main P.C.B. and replacing the parts, do as show.</p>
 <p>4. Connect the GND terminal to the bottom board ass'y by the lead wire.</p>	 <p>2. Lift the main P.C.B. off the retention post on the bottom board ass'y.</p> <p>3. Remove the main P.C.B. in the direction of the arrow.</p>		

Ref. No. 14	Removal of the Fan Ass'y
Procedure 1→8→14	 <p>1. Release 3 claws (shown in Fig. 1).</p>
 <p>2. Insert a screwdriver at the root of the fan (shown in Fig. 2).</p> <p>3. Remove the cap (shown in Fig. 3).</p> <p>4. Remove the motor from the fan case (shown in Fig. 4).</p> <p>5. When mounting the motor, align the boss of the fan case with the hole of the motor (shown in Fig. 5).</p>	

Replacement of the Foot

- Remove the 4 heat melted posts on the bottom board ass'y with a pair of nippers or similar tool.
- To replace the foot (RKA0011A-2) on the bottom board ass'y melt the 4 posts with a soldering iron.



Power Source ON/OFF of This Unit SE-CH505A

- Connect the AC power cord of this unit to an AC outlet and turn it on. (This unit comes to stand-by mode.)
- Make test point TP701 (TP701) short as shown in Fig. 1. POWER indicator lights and this unit comes to power ON mode.

Operation Check

- Set this unit to power ON mode.
- Input a signal (1kHz, 100mV) to the section between the resistor R217 (LINE IN for Lch) and the jumper J93 (LINE IN GND) as well as the section between the resistor R218 (LINE IN for Rch) and the jumper.
- Connect the speaker to the speaker terminals and check if it sounds from the speaker.

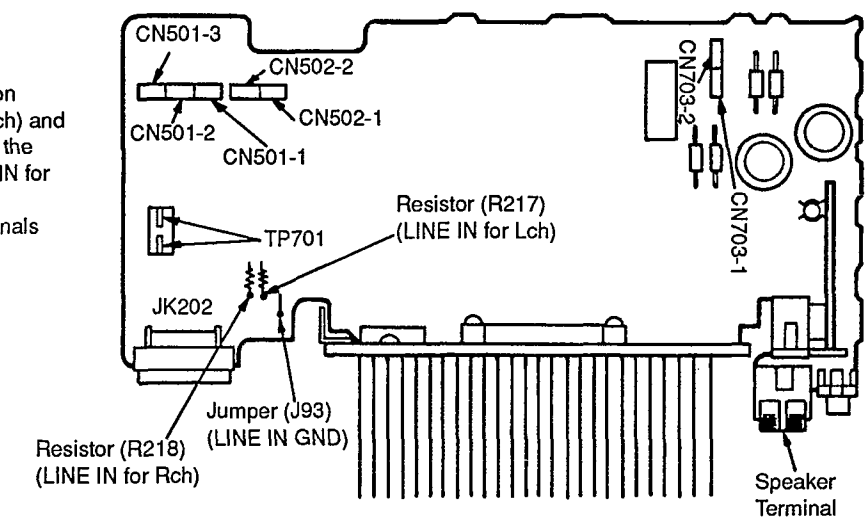
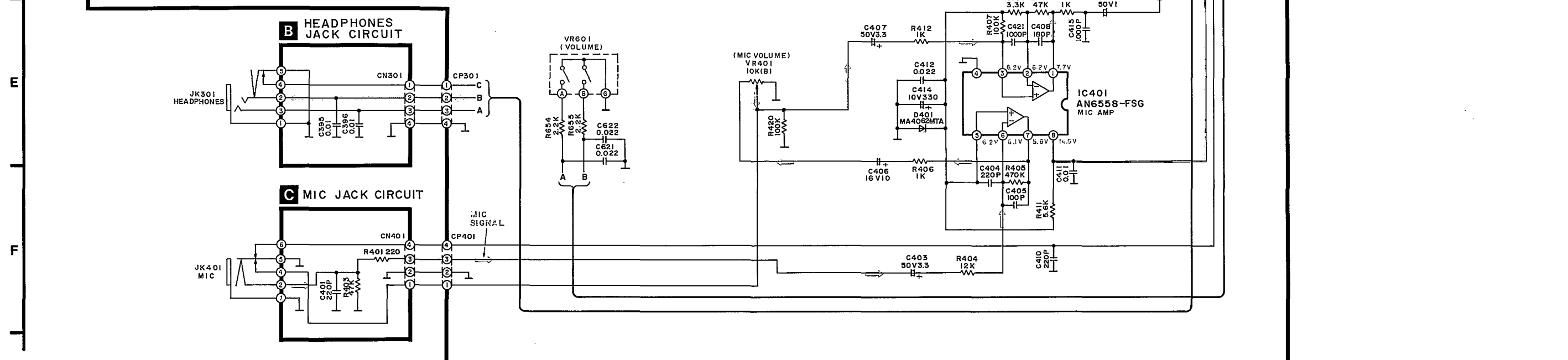
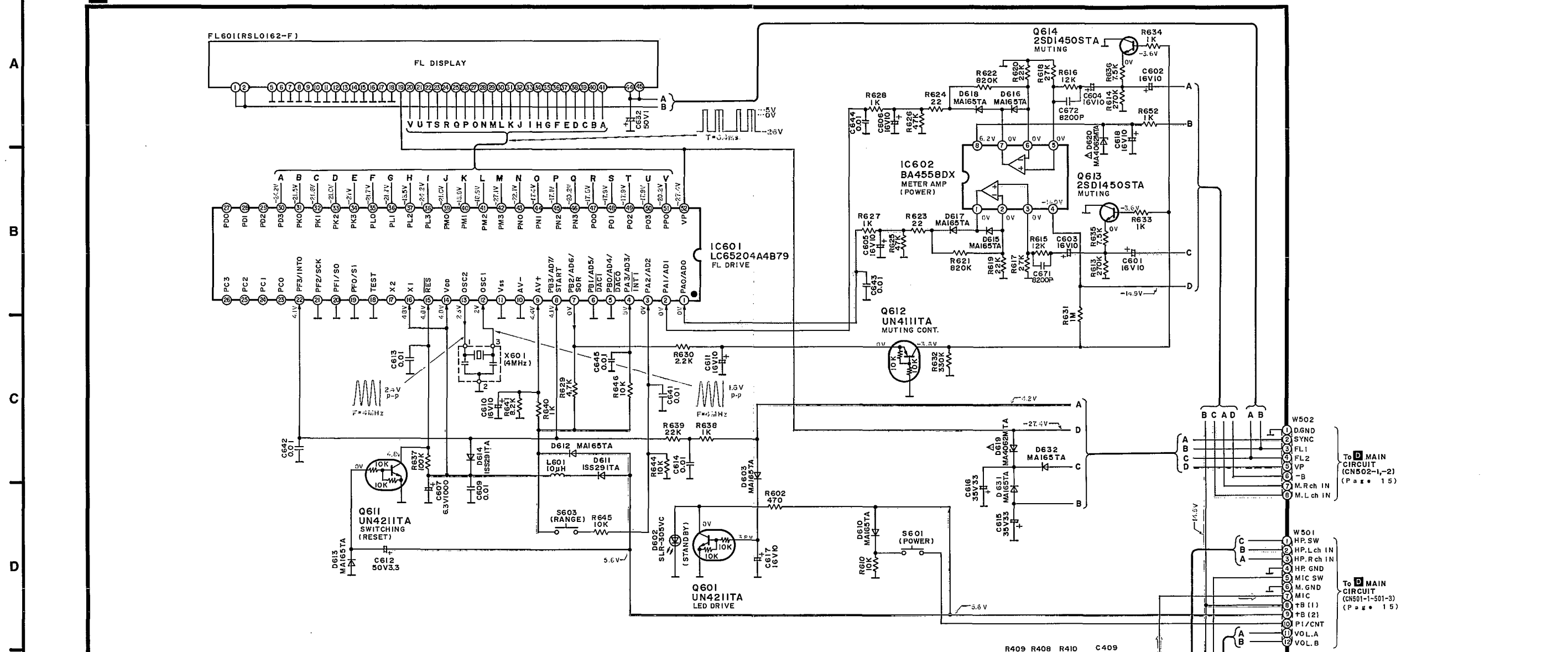


Fig. 1

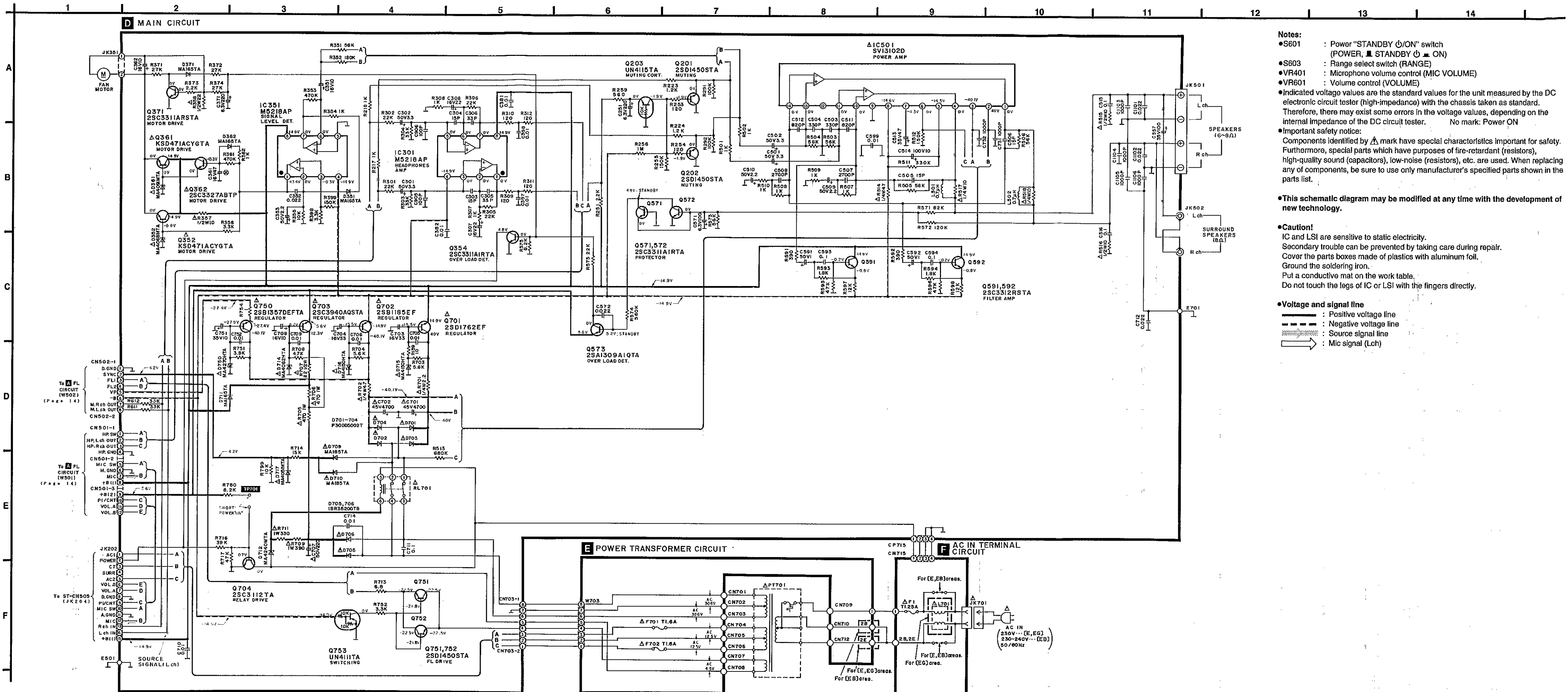
Schematic Diagram • FL/Headphones Jack/Mic Jack circuit (Parts list on pages 23~25)

1 2 3 4 5 6 7 8 9

A FL CIRCUIT



Schematic Diagram • Main/Power Transformer/AC Input Terminal circuit (Parts list on pages 23~25)



Notes:

- S601 : Power "STANDBY ON" switch (POWER, \square STANDBY \square ON)
- S603 : Range select switch (RANGE)
- VR401 : Microphone volume control (MIC VOLUME)
- VR601 : Volume control (VOLUME)

•Indicated voltage values are the standard values for the unit measured by the DC electronic circuit tester (high-impedance) with the chassis taken as standard. Therefore, there may exist some errors in the voltage values, depending on the internal impedance of the DC circuit tester. No mark: Power ON

•Important safety notice:
Components identified by Δ mark have special characteristics important for safety. Furthermore, special parts which have purposes of fire-retardant (resistors), high-quality sound (capacitors), low-noise (resistors), etc. are used. When replacing any of components, be sure to use only manufacturer's specified parts shown in the parts list.

•This schematic diagram may be modified at any time with the development of new technology.

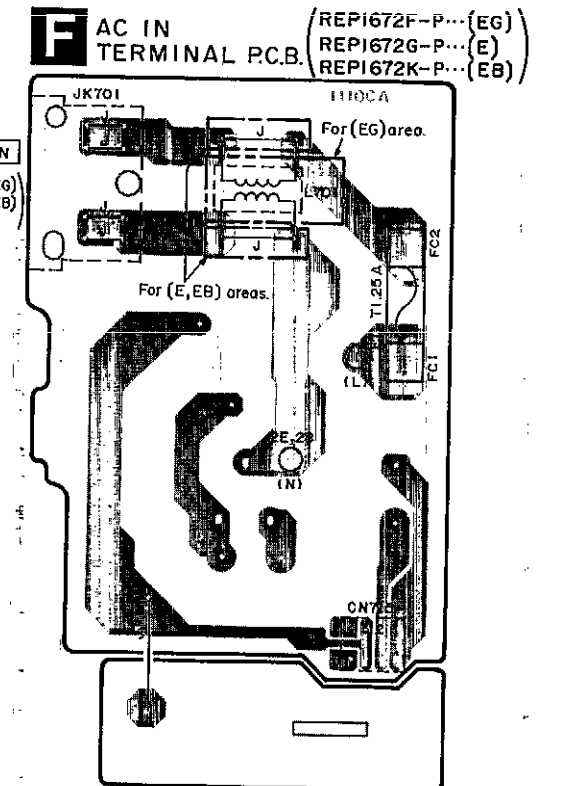
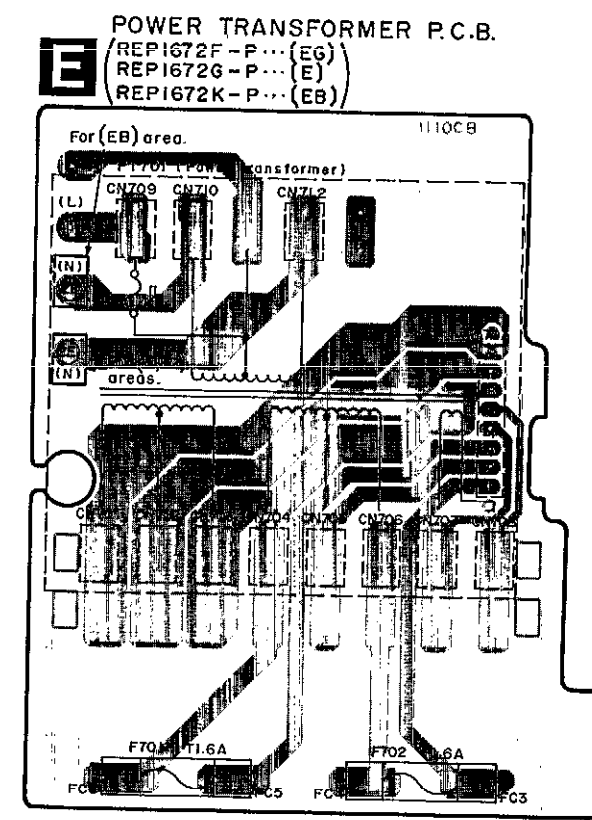
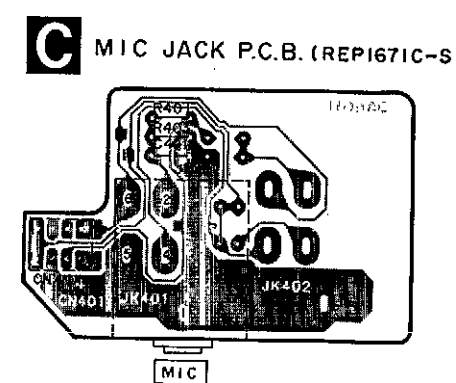
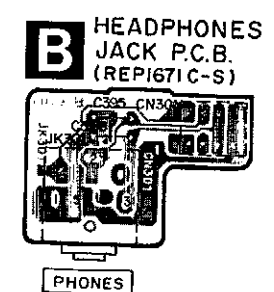
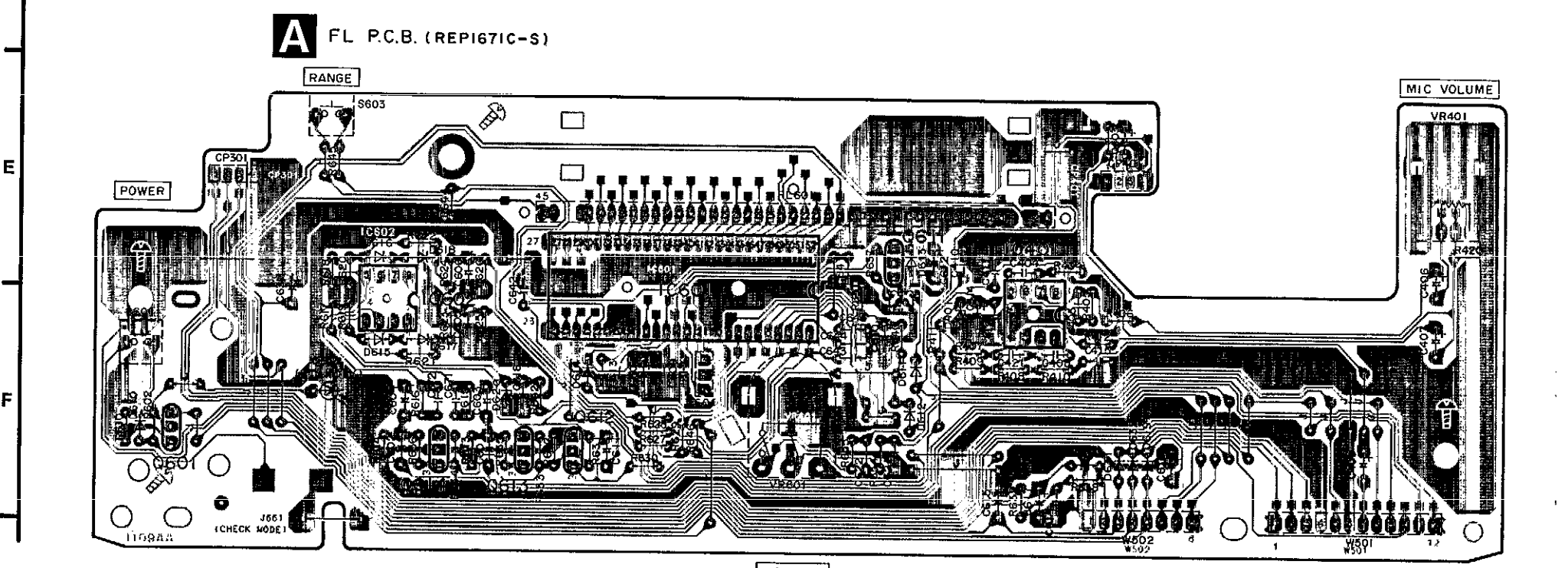
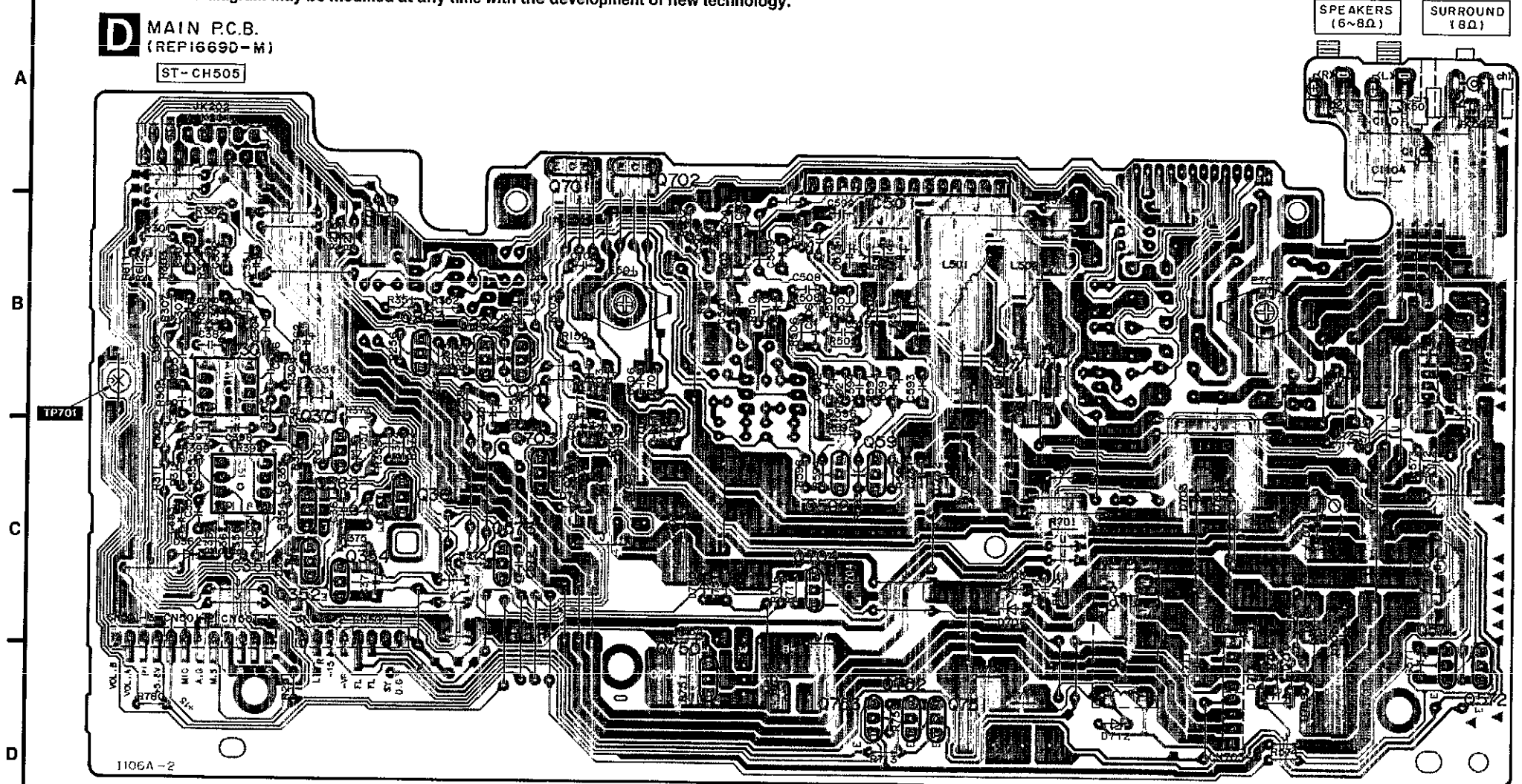
•Caution!
IC and LSI are sensitive to static electricity. Secondary trouble can be prevented by taking care during repair. Cover the parts boxes made of plastics with aluminum foil. Ground the soldering iron. Put a conductive mat on the work table. Do not touch the legs of IC or LSI with the fingers directly.

•Voltage and signal line

- : Positive voltage line
- - - : Negative voltage line
- : Source signal line
- : Mic signal (Lch)

Printed Circuit Board Diagram (Parts list on pages 23-25)

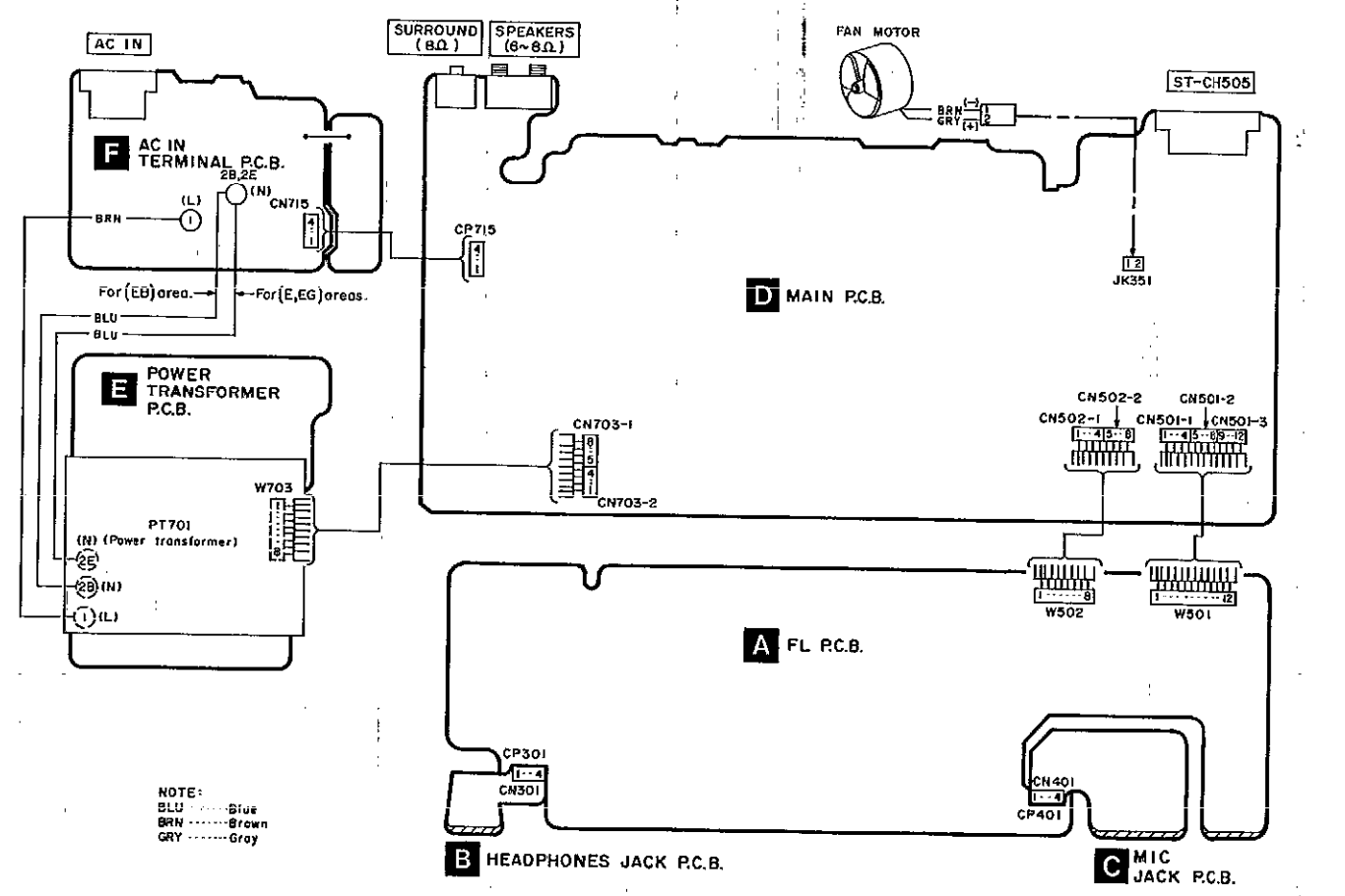
This circuit board diagram may be modified at any time with the development of new technology.



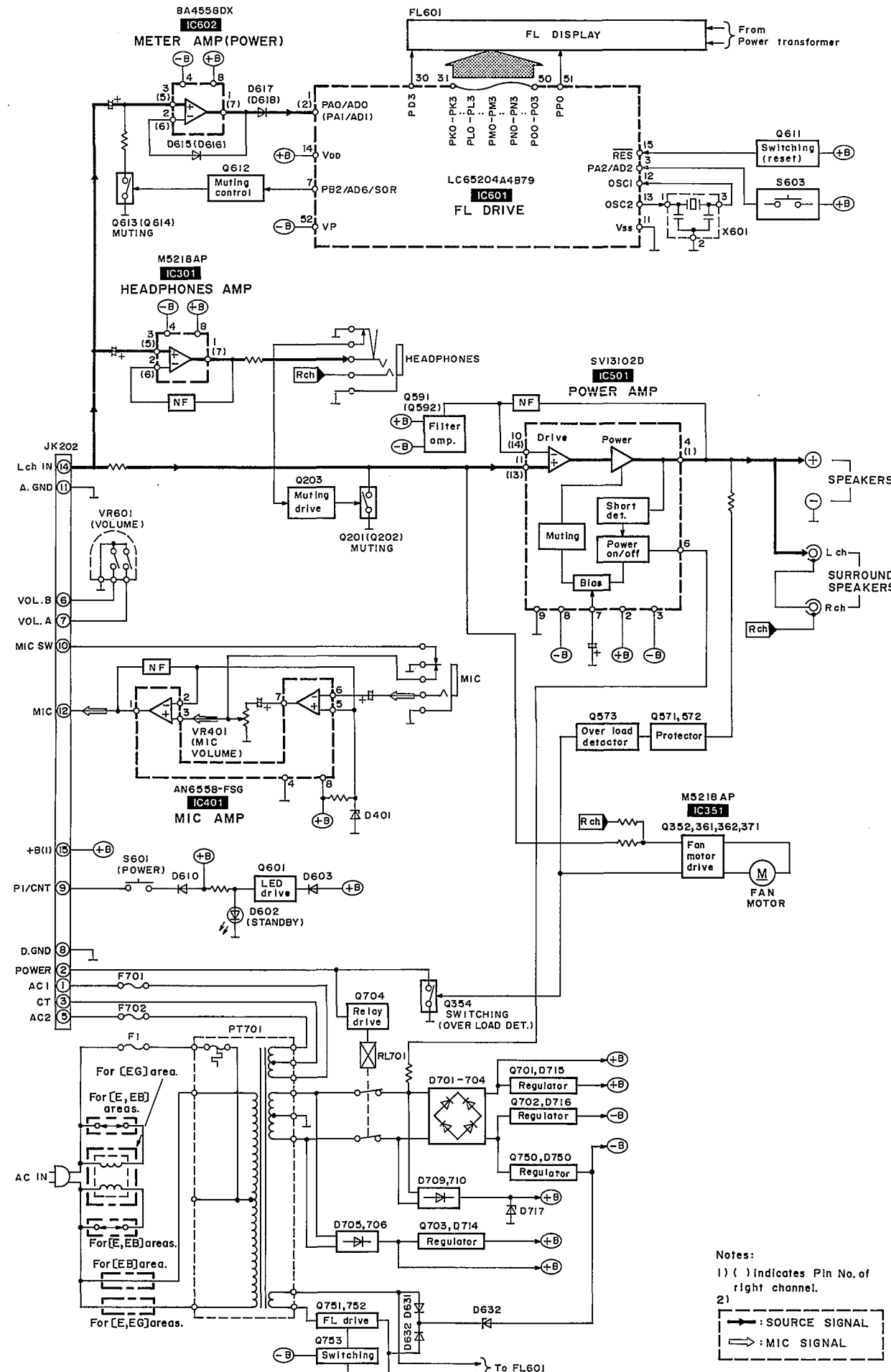
Terminal guide of IC's, transistors and diodes

AN6558-FSG BA4558DX 	M5218AP 	LC65204A4B79 	SVI3102D
	2SA1309AIQTA 2SC3311ARSTA 2SC3311AIRTA 2SC3312RSTA 2SD1450STA UN4111TA UN4115TA UN4211TA	2SB1357DEFTA 	2SC3940AQSTA
2SC3112TA 2SC3327ABTP KSD471ACYGTA 	2SB1185EF 2SD1762EF 	MA165TA 	
MA185TA 1SS291TA 		MA4051MTA MA4062HTA MA4062MTA MA4068MTA MA4091MTA	P300D5002T 1SR35200TB
	MA4150HTA MA4240MTA MA4270HTA 	SLR-305VC 	

Wiring Connection Diagram



■ Block Diagram



Notes:
 1) () indicates Pin No. of right channel.
 2)
 — SOURCE SIGNAL
 — MIC SIGNAL

■ Function of IC Terminals

● IC601 (LC65204A4B79)

Pin No.	Terminal Name	I/O	Function
1	PA0/AD0	I	L-ch level signal input from IC602
2	PA1/AD1	I	R-ch level signal input from IC602
3	PA2/AD2	I	Operation key ON/OFF signal input
4	PA3/AD3	I	Check mode input (Mode ON: "H")
5	PB0/AD4	—	Connected to GND
6	PB1/AD5	—	Connected to GND
7	PB2/AD6	O	Meter range switching signal input (×1 mode: "H", X0.1 mode: "L")
8	PB3/AD7	I	Power ON detection signal input
9	AV+	I	A/D converter standard voltage input
10	AV-	—	
11	V _{SS}	—	Connected to GND
12	OSC1	I/O	Clock signal input/output (Connected to X501)
13	OSC2		

Pin No.	Terminal Name	I/O	Function
14	V _{DD}	I	Power supply terminal (+5 V input)
15	RES	I	Reset signal input (Operation mode: "H", Reset mode: "L")
16	×1	I	Connected to V _{DD}
17	×2	—	—
18	TEST	—	Connected to GND
19	PF0/S1	O	FL segment drive output (Connected to GND) (Pulse signal output)
21	PF2/SCK		
22	PF3/INT0	I	Power OFF detection signal input
23	PC0	—	—
29	PD9		
30	PD3	O	FL segment drive output (Pulse signal output)
45	PN2		
46	PN3	O	FL grid drive output (Pulse signal output)
51	PP0		
52	VP	—	FL pull-down power source input

■ Replacement Parts List

Notes: *Important safety notice:

Components identified by Δ mark have special characteristics important for safety. Furthermore, special parts which have purposes of fire-retardant (resistors), high-quality sound (capacitors), low-noise (resistors), etc. are used. When replacing any of components, be sure to use only manufacturer's specified parts shown in the parts list. *The parenthesized indications in the Remarks columns specify the areas. (Refer to the cover page for area.) Parts without these indications can be used for all areas. *Remote Control Ass'y: Supply period for three years from termination of production. *The "(SF)" mark denotes the standard part.

Ref. No.	Part No.	Part Name & Description	Remarks	Ref. No.	Part No.	Part Name & Description	Remarks
		INTEGRATED CIRCUIT(S)					
IC301	M5218AP	I. C. HEADPHONES AMP.		D612, 613	MA165	DIODE	
IC351	M5218AP	I. C. SIGNAL LEVEL DET.		D614	1SS291TA	DIODE	
IC401	AN6558-FSG	I. C. MIC AMP.		D615-618	MA165	DIODE	
IC501	SVI3102D	I. C. POWER AMP.	Δ	D619, 620	MA4062MTA	DIODE	Δ
IC601	LC65204A4B79	I. C. FL DRIVE		D631, 632	MA165	DIODE	
IC602	BA4558DX	I. C. METER AMP.		D701-704	P300D5002T	DIODE	Δ
		TRANSISTOR(S)		D705, 706	1SR35200TB	DIODE	Δ
				D709, 710	MA185TA	DIODE	Δ
				D711	MA165	DIODE	
				D712	MA4240H	DIODE	
				D714	MA4062-H	DIODE	Δ
				D715, 716	MA4150M	DIODE	Δ
				D717	MA4051MTA	DIODE	Δ
				D750	MA4270HTA	DIODE	Δ
						VARIABLE RESISTOR(S)	
Q201, 202	2SD1450RTA	TRANSISTOR		VR401	EVJ02BF02B14	V. R. MIC VOLUME CONTROL	
Q203	UN4115	TRANSISTOR		VR601	EVQWQAF2524B	V. R. MAIN VOLUME CONTROL	
Q352	KSD471ACYGTA	TRANSISTOR	Δ			COIL(S)	
Q354	2SC3311AIRTA	TRANSISTOR		L501, 502	SLQY07G-40	COIL	
Q361	KSD471ACYGTA	TRANSISTOR	Δ	L601	ELEXT100KA9	COIL	
Q362	2SC3327-A	TRANSISTOR	Δ	L701	RLQ2271M	COIL	Δ (EG)
Q371	2SC3311ARSTA	TRANSISTOR				OSCILLATOR(S)	
Q571, 572	2SC3311AIRTA	TRANSISTOR		X601	EF0EC4004T4	OSCILLATOR (4MHz)	
Q573	2SA1309AIQTA	TRANSISTOR				DISPLAY	
Q591, 592	2SC3312RSTA	TRANSISTOR		FL601	RSL0162-F	FL DISPLAY	
Q601	UN4211	TRANSISTOR				FUSE(S)	
Q611	UN4211	TRANSISTOR		F1	XBA2C12TB0S	FUSE, 250V T1. 25A	Δ
Q612	UN4111	TRANSISTOR		F701, 702	XBA2C16TB0	FUSE, 250V T1. 6A	Δ
Q613, 614	2SD1450RTA	TRANSISTOR				SWITCH(ES)	
Q701	2SD1762EF	TRANSISTOR	Δ	S601	EVQ21405R	SW. POWER	
Q702	2SB1185EF	TRANSISTOR	Δ	S603	EVQ21405R	SW. RANGE	
Q703	2SC3940AQSTA	TRANSISTOR	Δ			CONNECTOR(S)	
Q704	2SC3112TA	TRANSISTOR					
Q750	2SB1357DEFTA	TRANSISTOR	Δ				
Q751, 752	2SD1450RTA	TRANSISTOR					
Q753	UN4111	TRANSISTOR					
		DIODE(S)					
D351	MA165	DIODE					
D352	MA4068M	DIODE	Δ				
D361	MA4091-M	DIODE	Δ				
D362	MA165	DIODE					
D371	MA165	DIODE					
D401	MA4062MTA	DIODE					
D602	SLR-305VC	LED					
D603	MA165	DIODE					
D610	MA165	DIODE					
D611	1SS291TA	DIODE					

Notes : * Capacity values are in microfarads (μ F) unless specified otherwise, P=Pico-farads (pF) F=Farads (F)
* Resistance values are in ohms, unless specified otherwise, 1K=1,000(OHM) , 1M=1,000k(OHM)

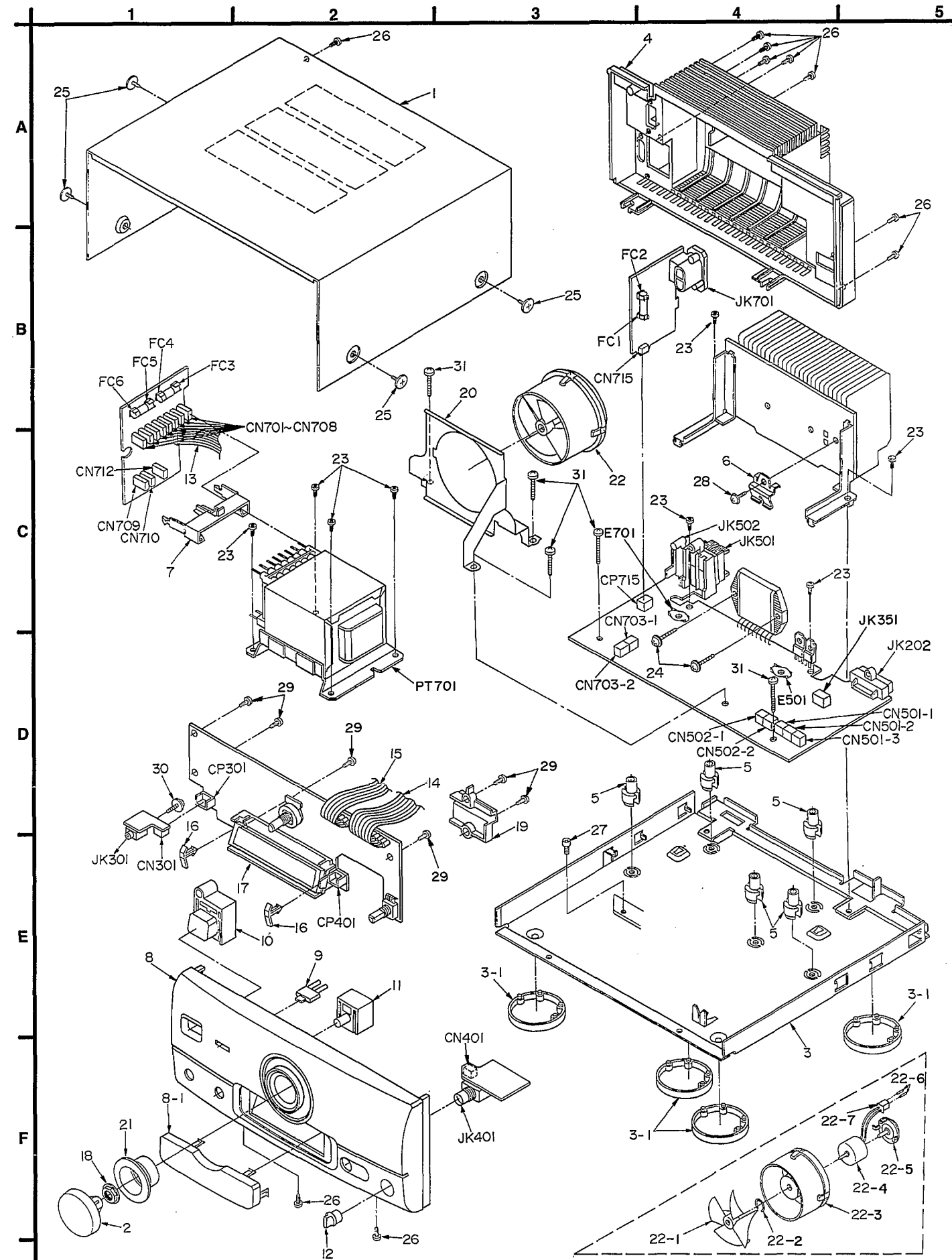
Ref. No.	Part No.	Part Name & Description	Remarks
CN301	RJU057W004	SOCKET(4P)	
CN401	RJU057W004	SOCKET(4P)	
CN701-710	RJS1A1101T1	SOCKET(1P)	
CN712	RJS1A1101T1	SOCKET(1P)	
CN715	RJU057W004	SOCKET(4P)	
CN501-1-3	RJS1A6604	SOCKET(4P)	
CN502-1, 2	RJS1A6604	SOCKET(4P)	
CN703-1, 2	RJS1A6604	SOCKET(4P)	
CP301	RJT057W004-1	CONNECTOR(4P)	
CP401	RJT057W004-1	CONNECTOR(4P)	
CP715	RJT057W004-1	CONNECTOR(4P)	
		EARTH TERMINAL(S)	
E501	SNE1004-1	GND PLATE	
E701	SNE1004-1	GND PLATE	
		FUSE HOLDER(S)	
FC1-6	EYF52BC	FUSE HOLDER	
		TRANSFORMER	
PT701	RTP2M5B003	POWER TRANSFORMER	Δ
		RELAY	
RL701	RSY0013M-0	RELAY	Δ
		JACK(S)	
JK202	RJT065W15	CONNECTOR(15P)	
JK301	RJJ37TN01-C	HEADPHONES JACK	
JK351	SJT3213	CONNECTOR(2P)	
JK401	RJJ65MA01	MIC JACK	
JK501	RJR0054M	SPEAKER TERMINAL	
JK502	SJF3068-6N	SPEAKER TERMINAL(SURROUND)	
JK701	SJS9236	AC INLET	(E)(EG)
JK701	SJSD16	AC INLET	(EB)

Ref. No.	Part No.	Values & Remarks
		RESISTORS
R159	ERDS2TJ100	1/4W 10
R217, 218	ERDS2TJ102	1/4W 1K
R223, 224	ERDS2TJ122	1/4W 1.2K
R251	ERDS2TJ222	1/4W 2.2K
R253, 254	ERDS2EJ121	1/4W 120
R255	ERDS2TJ154	1/4W 150K
R256	ERDS2TJ105T	1/4W 1M
R259	ERDS2TJ561	1/4W 560
R291, 292	ERDS2TJ104	1/4W 100K
R301, 302	ERDS2TJ223	1/4W 22K
R303, 304	ERDS2TJ333	1/4W 33K
R305, 306	ERDS2TJ223	1/4W 22K
R307, 308	ERDS2TJ102	1/4W 1K
R309-312	ERDS2EJ121	1/4W 120
R351	ERDS2TJ563	1/4W 56K
R352	ERDS2TJ184T	1/4W 180K
R353	ERDS2TJ474	1/4W 470K
R354	ERDS2TJ102	1/4W 1K
R355	ERDS2TJ103	1/4W 10K
R356	ERDS2TJ332	1/4W 3.3K
R357	ERDS1FVJ100T	1/2W 10 Δ
R358	ERDS1FVJ220T	1/2W 22 Δ
R361	ERDS2TJ474	1/4W 470K
R362	ERDS2TJ102	1/4W 1K
R371, 372	ERDS2TJ273	1/4W 27K
R373	ERDS2TJ222	1/4W 2.2K
R374	ERDS2TJ273	1/4W 27K
R375	ERDS2TJ822	1/4W 8.2K
R398	ERDS2TJ332	1/4W 3.3K
R399	ERDS2TJ154	1/4W 150K
R401	ERDS2TJ221	1/4W 220
R403	ERDS2TJ473	1/4W 47K
R404	ERDS2TJ123	1/4W 12K
R405	ERDS2TJ474	1/4W 470K
R406	ERDS2TJ102	1/4W 1K
R407	ERDS2TJ104	1/4W 100K
R408	ERDS2TJ473	1/4W 47K
R409	ERDS2TJ332	1/4W 3.3K
R410	ERDS2TJ102	1/4W 1K
R411	ERDS2TJ562	1/4W 5.6K
R412	ERDS2TJ102	1/4W 1K
R420	ERDS2TJ104	1/4W 100K
R501, 502	ERDS2TJ102	1/4W 1K
R503-506	ERDS2TJ563	1/4W 56K
R507-510	ERDS2TJ102	1/4W 1K
R511	ERDS2TJ334	1/4W 330K

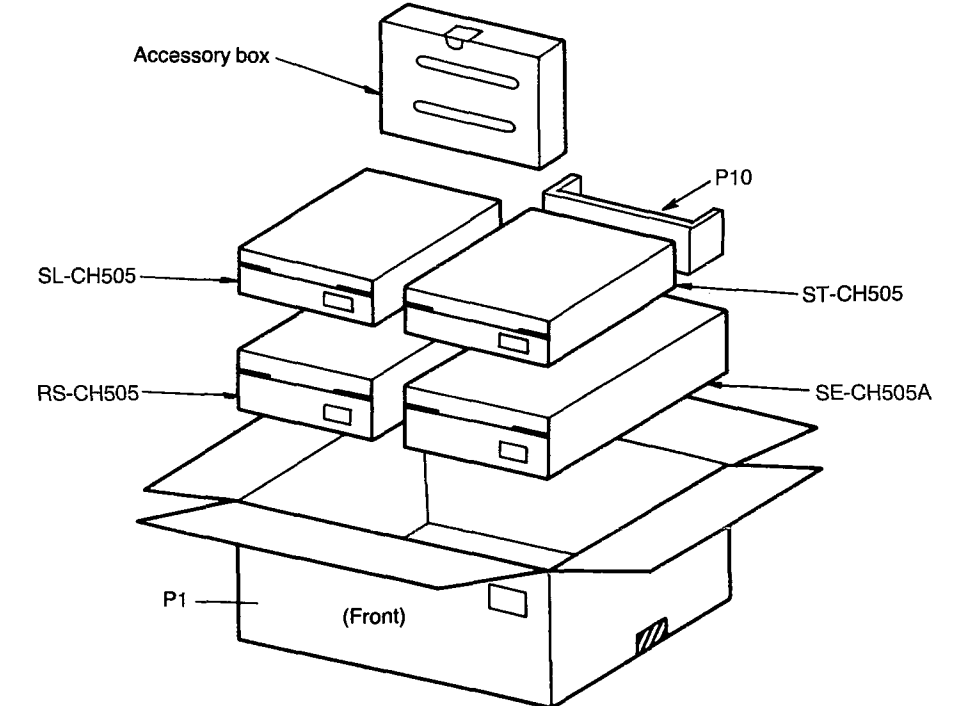
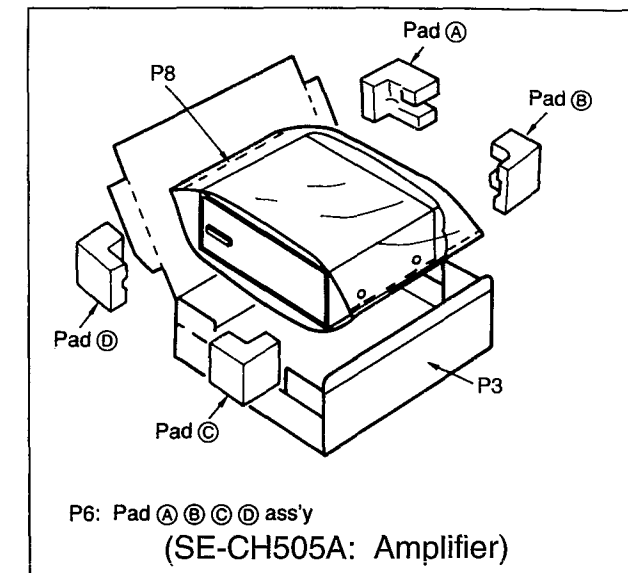
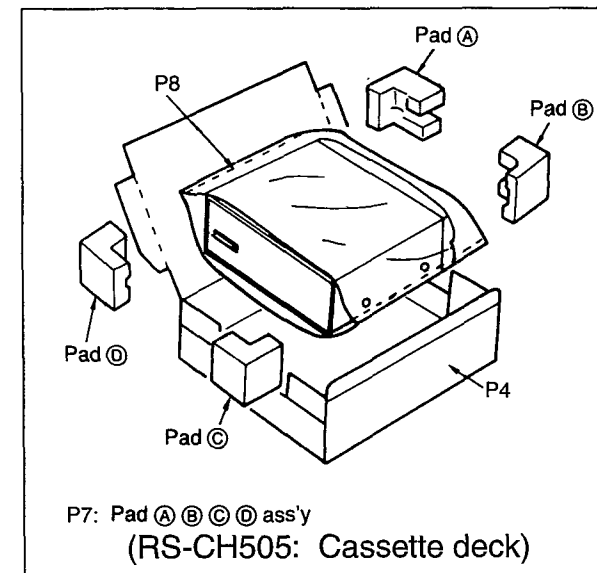
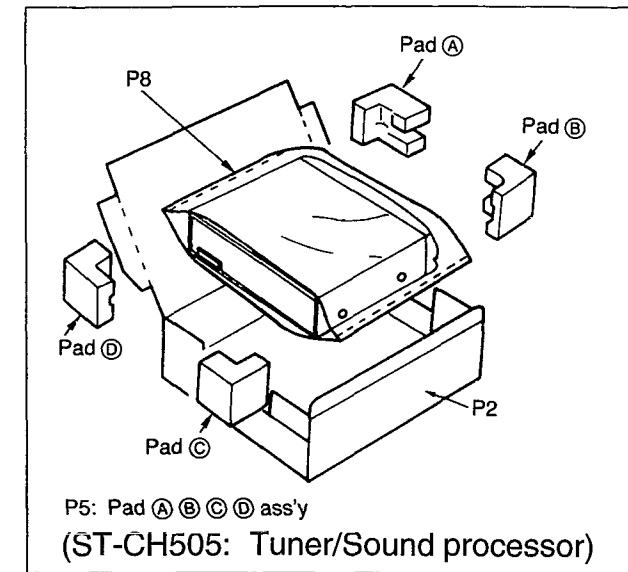
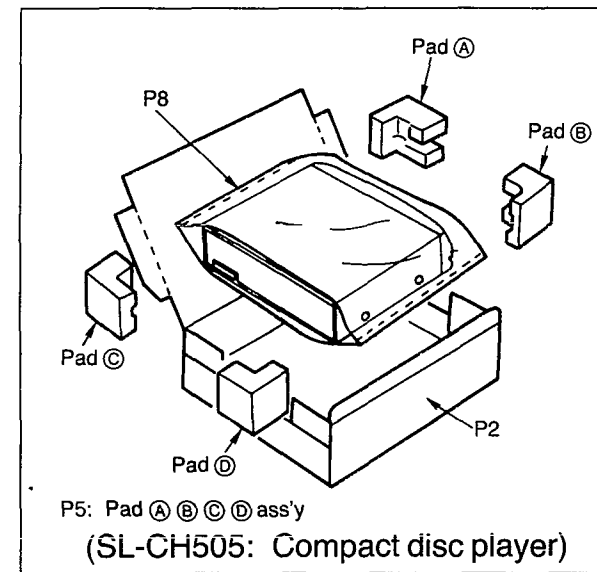
Ref. No.	Part No.	Values & Remarks	Ref. No.	Part No.	Values & Remarks	Ref. No.	Part No.	Values & Remarks
R512	ERDS2TJ154	1/4W 150K	R752	ERDS2TJ332	1/4W 3.3K	C610, 611	ECEA1CKA100B	16V 10U
R513	ERDS2TJ684	1/4W 680K	R754	ERDS2TJ1R0	1/4W 1.0	C612	ECEA1HKA3R3B	50V 3.3U
R514	ERD25FJ470	1/4W 47 Δ	R780	ERDS2TJ822	1/4W 8.2K	C613, 614	ECBT1E103ZF	25V 0.01U
R515, 516	ERDS1FVJ100T	1/2W 10 Δ	R799	ERDS2TJ103	1/4W 10K	C615, 616	ECEA1VKA330B	35V 33U
R517, 518	ERD25FVJ100T	1/4W 10 Δ				C617, 618	ECEA1CKA100B	16V 10U
R571	ERDS2TJ823T	1/4W 82K			CAPACITORS	C621, 622	ECBT1E223ZF	25V 0.022U
R572	ERDS2TJ124T	1/4W 120K	C251	ECEAOJKA221B	6.3V 220U	C632	ECEA1HKA010B	50V 1U
R573	ERDS2TJ563	1/4W 56K	C301, 302	ECEA1HKA3R3B	50V 3.3U	C641-645	ECBT1E103ZF	25V 0.01U
R574	ERDS2TJ564	1/4W 560K	C303, 304	ECBT1H150J5	50V 15P	C671, 672	ECBT1C822KS5	16V 8200P
R575	ERDS2TJ223	1/4W 22K	C305, 306	ECBT1H330J5	50V 33P	C701, 702	ECEA45V472YB	45V 4700U Δ
R591, 592	ERDS2TJ391	1/4W 390	C307, 308	ECEA1CKA220B	16V 22U	C703, 704	ECEA1CKA330B	16V 33U
R593, 594	ERDS2TJ182	1/4W 1.8K	C351	ECEA1CKA100B	16V 10U	C705, 706	ECKR1H103ZF5	50V 0.01U
R595, 596	ERDS2TJ473	1/4W 47K	C352	ECBT1E223ZF	25V 0.022U	C707	ECA1HM221B	50V 220U Δ
R597, 598	ERDS2TJ123	1/4W 12K	C353	ECEA1HKA2R2B	50V 2.2U	C708	ECEA1CKA100B	16V 10U
R602	ERDS2TJ471	1/4W 470	C361	ECEA1CM470SB	16V 47U	C709, 710	ECBT1E103ZF	25V 0.01U
R610	ERDS2TJ103	1/4W 10K	C362	ECEA1CKA100B	16V 10U	C711	ECQE1104KF3	100V 0.1U
R611, 612	ERDS2TJ333	1/4W 33K	C371	ECEAOJKA221B	6.3V 220U	C712	ECBT1E223ZF	25V 0.022U
R613, 614	ERDS2TJ274	1/4W 270K	C381, 382	ECBT1E103ZF	25V 0.01U	C714	ECKR1H103ZF5	50V 0.01U
R615, 616	ERDS2TJ123	1/4W 12K	C395-398	ECBT1E103ZF	25V 0.01U	C731, 732	ECKT1H102KB	50V 1000P
R617, 618	ERDS2TJ273	1/4W 27K	C401	ECBT1H221KB5	50V 220P	C751	ECEA1VKA100B	35V 10U
R619, 620	ERDS2TJ223	1/4W 22K	C403	ECEA1HKA3R3B	50V 3.3U	C752	ECKR1H103ZF5	50V 0.01U
R621, 622	ERDS2TJ824	1/4W 820K	C404	ECBT1H221KB5	50V 220P	C905, 906	ECBT1H101KB5	50V 100P
R623, 624	ERDS2TJ220T	1/4W 22	C405	ECBT1H101KB5	50V 100P	C1101, 1102	ECBT1E223ZF	25V 0.022U
R625, 626	ERDS2TJ473	1/4W 47K	C406	ECEA1CKA100B	16V 10U	C1103-1106	ECBT1H102KB5	50V 1000P
R627, 628	ERDS2TJ102	1/4W 1K	C407	ECEA1HKA3R3B	50V 3.3U			
R629	ERDS2TJ472	1/4W 4.7K	C408	ECBT1H181KB5	50V 180P			
R630	ERDS2TJ222	1/4W 2.2K	C409	ECEA1HKA010B	50V 1U			
R631	ERDS2TJ105T	1/4W 1M	C410	ECBT1H221KB5	50V 220P			
R632	ERDS2TJ334	1/4W 330K	C411	ECBT1E103ZF	25V 0.01U			
R633, 634	ERDS2TJ102	1/4W 1K	C412	ECBT1E223ZF	25V 0.022U			
R635, 636	ERDS2TJ752T	1/4W 7.5K	C414	ECA1AM331B	10V 330U			
R637	ERDS2TJ104	1/4W 100K	C415	ECBT1H102KB5	50V 1000P			
R638	ERDS2TJ102	1/4W 1K	C421	ECBT1H102KB5	50V 1000P			
R639	ERDS2TJ223	1/4W 22K	C501, 502	ECA1HAP3R3B	50V 3.3U			
R640	ERDS2TJ102	1/4W 1K	C503, 504	ECBT1H331KB5	50V 330P			
R641	ERDS2TJ822	1/4W 8.2K	C505, 506	ECBT1H150J5	50V 15P			
R644-646	ERDS2TJ103	1/4W 10K	C507, 508	ECBT1C272KR5	16V 2700P			
R652	ERDS2TJ102	1/4W 1K	C509, 510	ECEA1HKA2R2B	50V 2.2U			
R654, 655	ERDS2TJ222	1/4W 2.2K	C511, 512	ECBT1H821KB5	50V 820P			
R701	ERQ16NKW2R2E	1/4W 2.2 Δ	C513	ECEA1VU470	35V 47U			
R702	ERD2FCVJ4R7T	1/4W 4.7 Δ	C514	ECA2AAP100B	100V 10U			
R703, 704	ERDS2TJ562	1/4W 5.6K	C515, 516	ECBT1H104ZF5	50V 0.1U			
R705, 706	ERG1SJ471E	1W 470 Δ	C557	ECA1VM101B	35V 100U			
R707	ERDS1FVJ820T	1/2W 82 Δ	C571	ECEAOJKA101B	6.3V 100U			
R708	ERDS2TJ472	1/4W 4.7K	C572	ECBT1E223ZF	25V 0.022U			
R709	ERG1SJ391E	1W 390 Δ	C591, 592	ECEA1HKA010B	50V 1U			
R711	ERG1SJ331E	1W 330 Δ	C593, 594	ECQV1H104JM3	50V 0.1U			
R713	ERDS2TJ688	1/4W 6.8	C599	ECBT1C103MS5	16V 0.01U			
R714	ERDS2TJ153	1/4W 15K	C601-606	ECEA1CKA100B	16V 10U			
R716	ERDS2TJ393	1/4W 39K	C607	ECEAOJU102	6.3V 1000U			
R717	ERDS2TJ473	1/4W 47K	C609	ECBT1E103ZF	25V 0.01U			
R751	ERDS2TJ392T	1/4W 3.9K						

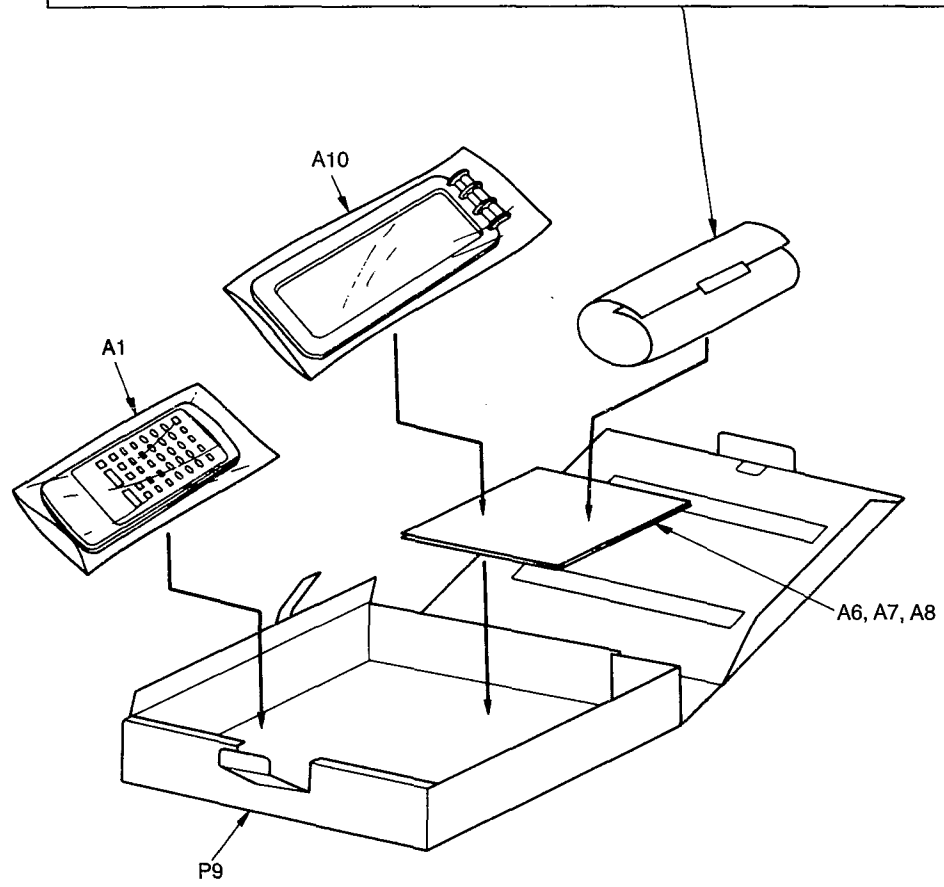
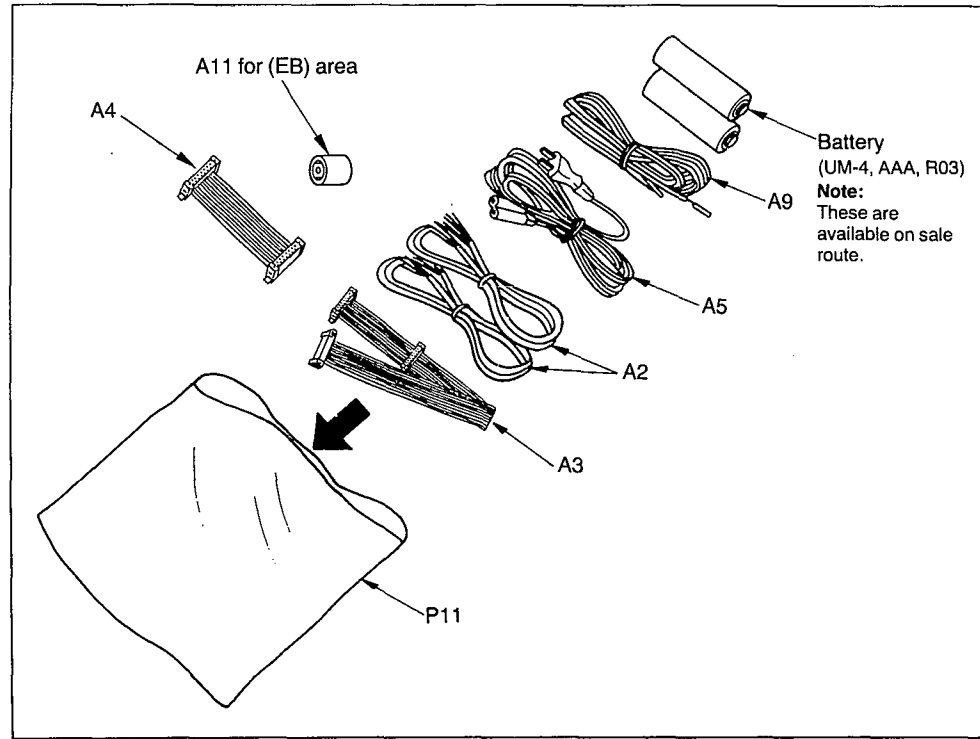
Ref. No.	Part No.	Part Name & Description	Remarks	Ref. No.	Part No.	Part Name & Description	Remarks
		CABINET PARTS		P4	RPG1313	PACKING CASE (DECK)	
				P5	RPN0719	PAD (CD/TUNER)	
				P6	RPN0720	PAD (AMPLIFIER)	
1	RKMO202B-1K	CABINET		P7	RPN0721	PAD (DECK)	
2	RGWO183-K	KNOB, MAIN VOLUME		P8	XZB45X50A01Z	PROTECTION COVER	
3	RFKJECH404EK	BOTTOM BOARD ASS' Y		P9	RPQF0047	ACCESSORIES BOX	
3-1	RKA0011A-2	FOOT		P10	RPQ0244	SPACER	
4	RFKHECH505AE	REAR GRILL ASS' Y	(E)	P11	XZB22X20C03	PROTECTION COVER	
4	RFKHECH505EB	REAR GRILL ASS' Y	(EB)			ACCESSORIES	
4	RFKHECH505EG	REAR GRILL ASS' Y	(EG)				
5	RKQ0089	P. C. B. SPACER		A1	RAK-CHI01WH	REMOTE CONTROL TRANSMITTER	
6	RMCO158	TRANSISTOR HOLDER		A1-1	RKK0057-K	BATTERY COVER	
7	RMNO191	HOLDER		A2	REE0393	SPEAKER CORD	
8	RFKGECH505AE	FRONT PANEL ASS' Y		A3	REX0511	FLAT CABLE (15P) (LONG TYPE)	
8-1	RKWO302-V	FL. PANEL		A4	REX0512	FLAT CABLE (15P) (SHORT TYPE)	
9	RGL0220-Q	PANEL LIGHT		A5	RJADD19-2K	AC POWER SUPPLY CORD	△ (E) (EG) (SF)
10	RGU0939-K	BUTTON, POWER		A5	VJA0733	AC POWER SUPPLY CORD	△ (EB) (SF)
11	RGU0940-K	BUTTON, RANGE		A6	RFKSECH505AE	INSTRUCTIONS MANUAL	(E)
12	RGWO178-K	KNOB, MIC VOLUME		A6	RQT2112-B	INSTRUCTIONS MANUAL	(EB)
13	REZ0606	FLAT CABLE (8P) (W703)		A6	RQT2114-E	INSTRUCTIONS MANUAL	(EG)
14	RWJ1812220QC	FLAT CABLE (12P) (W501)		A7	RQA0013	WARRANTY CARD	(E) (EG)
15	RWJ1808220XX	FLAT CABLE (8P) (W502)		A8	RQCBO169	SERVICE CENTER LIST	
16	RMNO195	FL. SPACER		A9	RSA0007	FM INDOOR ANTENNA	
17	RMNO237	FL. HOLDER (SHG01)		A10	RSA0010	AM LOOP ANTENNA	
18	SNE4021-1	NUT		A10-1	RMNO244	ANTENNA HOLDER	
19	RMNO236	MIC JACK P. C. B. HOLDER		A10-2	XTN3+12AFZ	SCREW	
20	RMNO215	FAN ANGLE		A11	SJP9009	ATTACHMENT PLUG	△ (EB)
21	RGK0593-S	ORNAMENT RING					
22	SYE1128-4	FAN ASS' Y					
22-1	SHE232	FAN					
22-2	SUS271	SPRING					
22-3	SHE233-1	FAN CASE					
22-4	MDN-4RB4MRC	MOTOR					
22-5	SHE234	CAP					
22-6	SJT783	TERMINAL					
22-7	SJS5215	CONNECTOR (2P)					
23	XTB3+8JFZ	SCREW					
24	XTW3+15T	SCREW					
25	RHD30007	SCREW					
26	XTBS3+8JFZ1	SCREW					
27	RHD30032	SCREW					
28	XTW3+8T	SCREW					
29	XTBS26+8J	SCREW					
30	XTWS3+10T	SCREW					
31	XTB3+20JFZ	SCREW					
		PACKING MATERIALS					
P1	RPG1766	PACKING CASE (SYSTEM)	(E) (EG)				
P1	RPG1767	PACKING CASE (SYSTEM)	(EB)				
P2	RPG1314	PACKING CASE (CD/TUNER)					
P3	RPG1312	PACKING CASE (AMPLIFIER)					

■ Cabinet Parts Location



■ Packaging





935